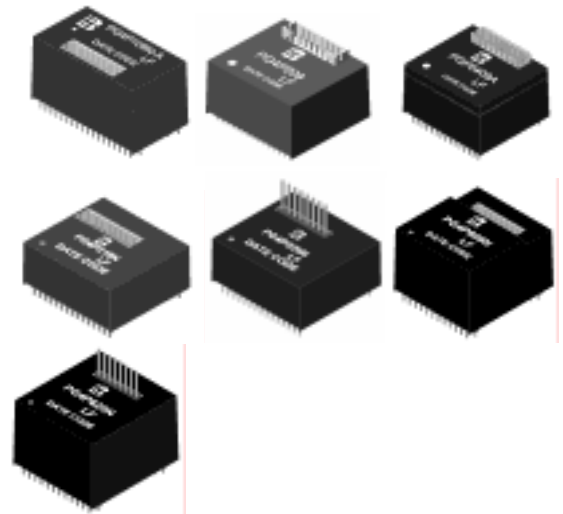


- Designed for Ethernet 1000 BASE-T, full Quad port applications.
- Supports 16 pairs of category 5 UTP cable.
- Cable interface for isolation and low common mode emissions.
- Compliant with IEEE 802.3at standard for 1000 BASE-T.
- POE applications with 720mA current capability
- Compliance with ROHS requirements.
- Operating temperature range: 0 to +70 .
- Storage temperature range: -25 to +85 .



Electrical Specifications @ 25

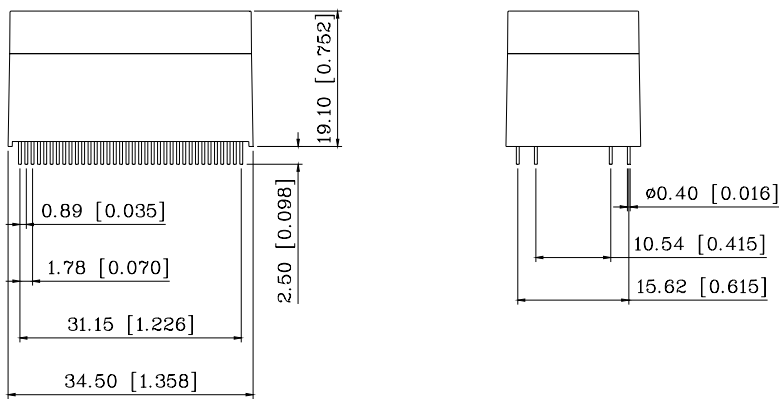
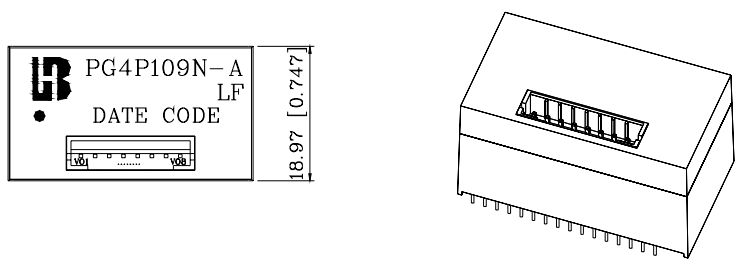
Part Number	Turns Ratio (±5%)		Cross talk Attenuation (dB Min)			MECH	HI-POT (Vrms)
	TX	RX	30MHz	60MHz	100MHz		
PG4P109 LF	1CT:1CT	1CT:1CT	-40	-35	-30	PGP-A	1500
PG4P109N LF	1CT:1CT	1CT:1CT	-40	-35	-30	PGP-A	1500
PG4P209 LF	1CT:1CT	1CT:1CT	-40	-35	-30	PGP-B	1500
PG4P209N LF	1CT:1CT	1CT:1CT	-40	-35	-30	PGP-B	1500
PGP5409A LF	1CT:1CT	1CT:1CT	-40	-35	-30	PGP-C	1500
PG4P219N LF	1CT:1CT	1CT:1CT	-40	-35	-30	PGP-D	1500
PG4P219AN LF	1CT:1CT	1CT:1CT	-40	-35	-30	PGP-D	1500
PG4P216N LF	1CT:1CT	1CT:1CT	-40	-35	-30	PGP-E	1500
PG4P229N LF	1CT:1CT	1CT:1CT	-40	-35	-30	PGP-E	1500
PG4P229AN LF	1CT:1CT	1CT:1CT	-40	-35	-30	PGP-E	1500
PG4P609N LF	1CT:1CT	1CT:1CT	-40	-35	-30	PGP-F	1500
PG4P629N LF	1CT:1CT	1CT:1CT	-40	-35	-30	PGP-G	1500
PG4P809N LF	1CT:1CT	1CT:1CT	-40	-35	-30	PGP-F	1500
PG4P829N LF	1CT:1CT	1CT:1CT	-40	-35	-30	PGP-G	1500
PG4P209RZN LF	1CT:1CT	1CT:1CT	-40	-35	-30	PGP-B	1500

Continue									
Part Number	Insertion Loss (dB Max)	Return Loss (dB Min)@ Load 100					DCMR (dB Min)		
		1-100MHz	1-30MHz	40MHz	50MHz	60-80MHz	100MHz	30MHz	60MHz
PG4P109 LF	-1.0	-18	-14.4	-13.1	-12	-10	-40	-35	-30
PG4P109N LF	-1.0	-18	-14.4	-13.1	-12	-10	-40	-35	-30
PG4P209 LF	-1.0	-18	-14.4	-13.1	-12	-10	-40	-35	-30
PG4P209N LF	-1.0	-18	-14.4	-13.1	-12	-10	-40	-35	-30
PGP5409A LF	-1.1	-18	-14.4	-13.1	-12	-10	-43	-37	-33
PG4P219N LF	-1.0	-18	-14.4	-13.1	-12	-10	-40	-35	-30
PG4P219AN LF	-1.0	-18	-14.4	-13.1	-12	-10	-40	-35	-30
PG4P216N LF	-1.0	-18	-14.4	-13.1	-12	-10	-40	-35	-30
PG4P229N LF	-1.0	-18	-14.4	-13.1	-12	-10	-40	-35	-30
PG4P229AN LF	-1.0	-18	-14.4	-13.1	-12	-10	-40	-35	-30
PG4P609N LF	-1.0	-18	-14.4	-13.1	-12	-10	-40	-35	-30
PG4P629N LF	-1.0	-18	-14.4	-13.1	-12	-10	-40	-35	-30
PG4P809N LF	-1.0	-18	-14.4	-13.1	-12	-10	-40	-35	-30
PG4P829N LF	-1.0	-18	-14.4	-13.1	-12	-10	-40	-35	-30
PG4P209RZN LF	-1.0	-18	-14.4	-13.1	-12	-10	-40	-35	-30

For customized parts or more detailed information, please log on www.bothhandusa.com or write to sales@bothhandusa.com

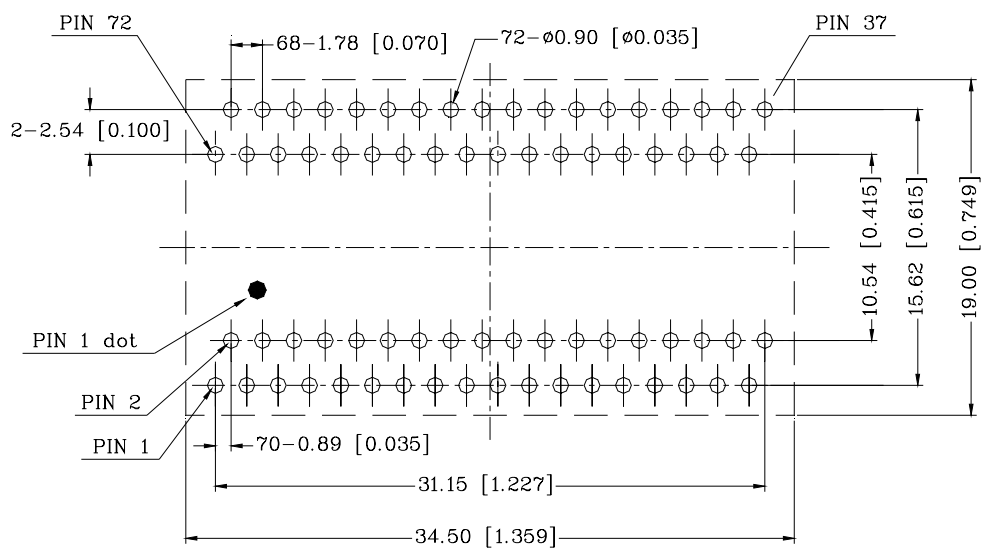
Mechanical

PGP-A



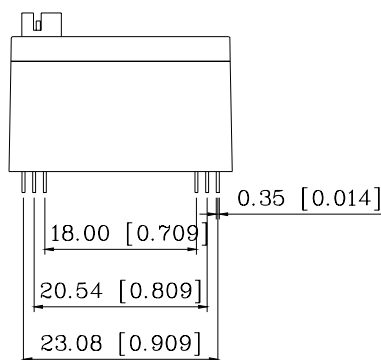
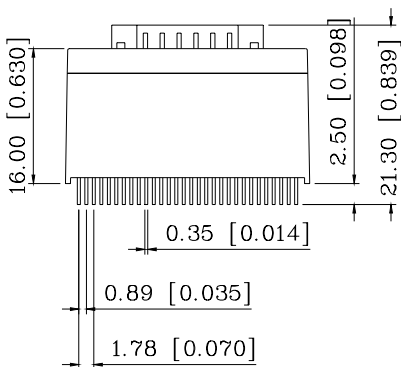
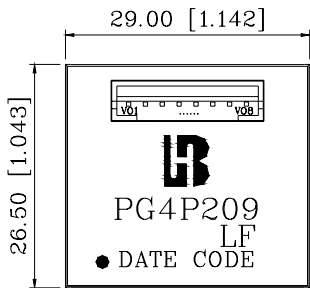
Units: mm[Inches] Tolerances: xx.x0±0.25[0.010]
0.xx±0.05[0.002]

PCB Layout mounting Hole (Top View)



Units: mm[Inches] Tolerance: xx.x0±0.25[0.010]
0.xx±0.05[0.002]

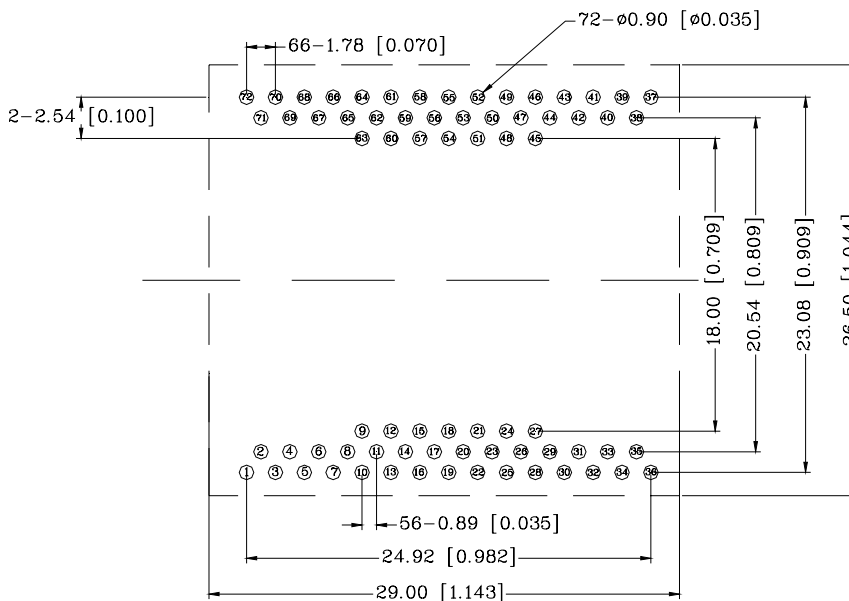
PGP-B



Units: mm[Inches] Tolerance: xx.x0±0.25[0.010]

PCB Layout mounting Hole (Top View)

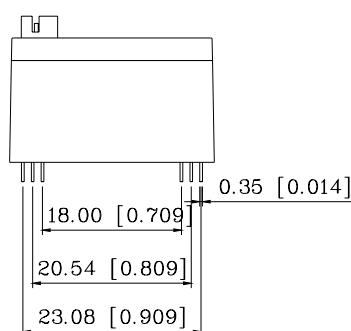
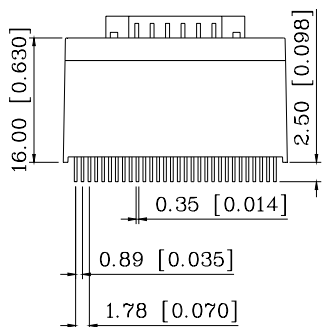
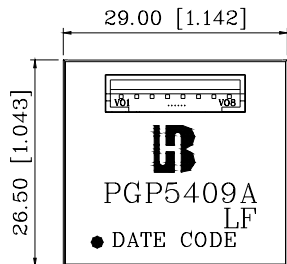
0.xx±0.05[0.002]



Units: mm[Inches] Tolerance: xx.x0±0.25[0.010]

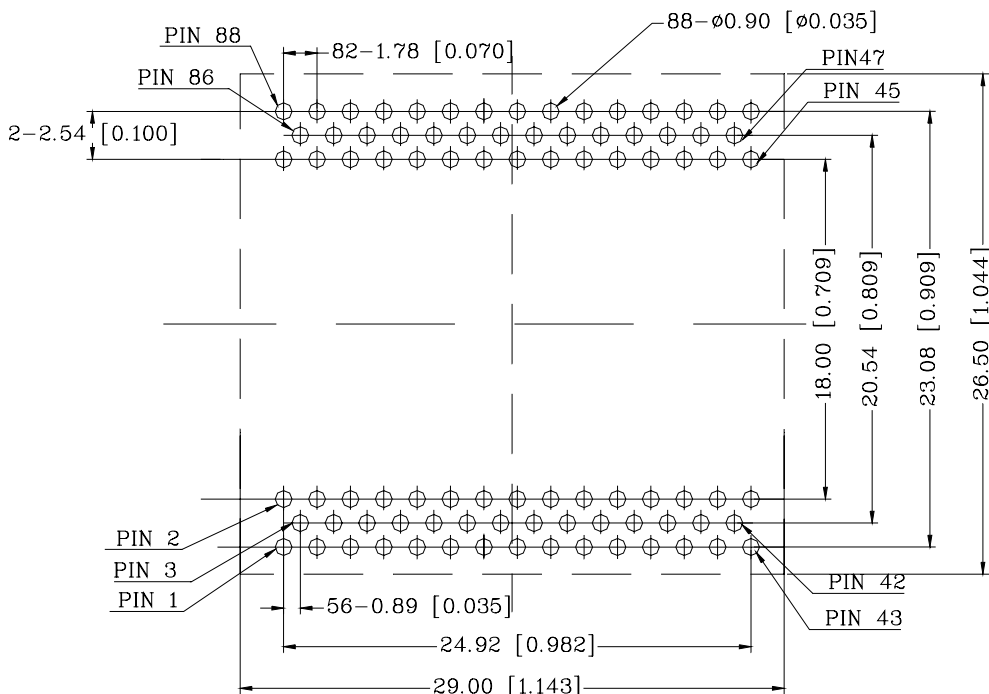
0.xx±0.05[0.002]

PGP-C



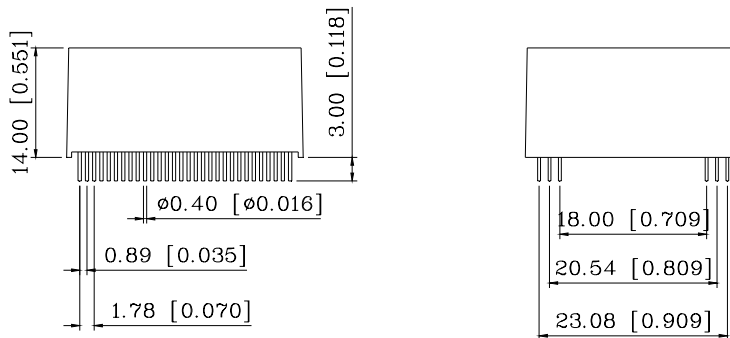
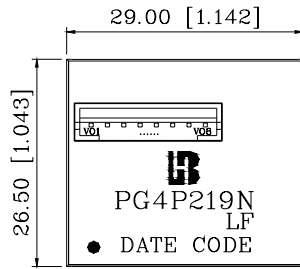
Units: mm[Inches] Tolerances: xx.x0±0.25[0.010]
0.xx±0.05[0.002]

PCB Layout mounting Hole (Top View)



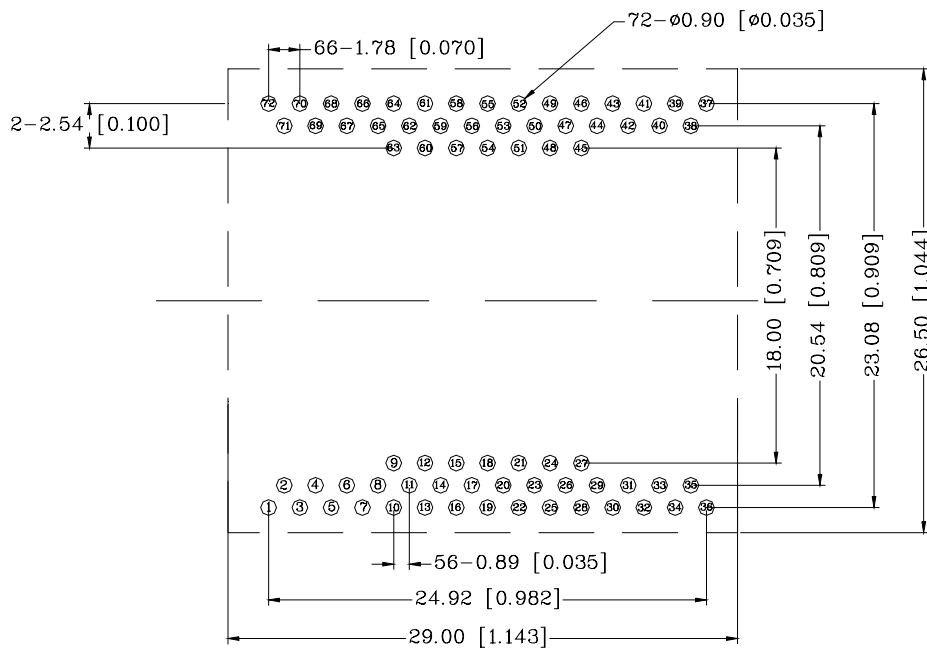
Units: mm[Inches] Tolerances: xx.x0±0.25[0.010]
0.xx±0.05[0.002]

PGP-D



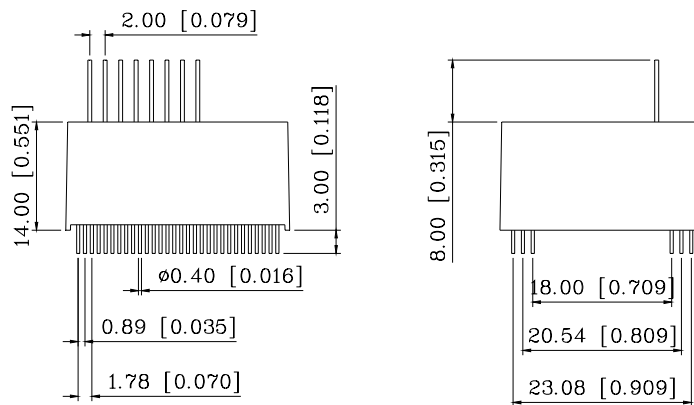
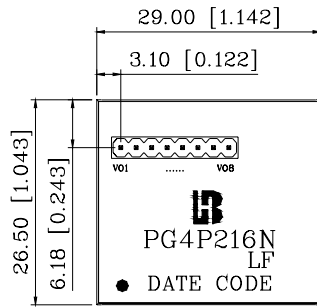
Units: mm[Inches] Tolerances: xx.x0±0.25[0.010]
0.xx±0.05[0.002]

PCB Layout mounting Hole (Top View)



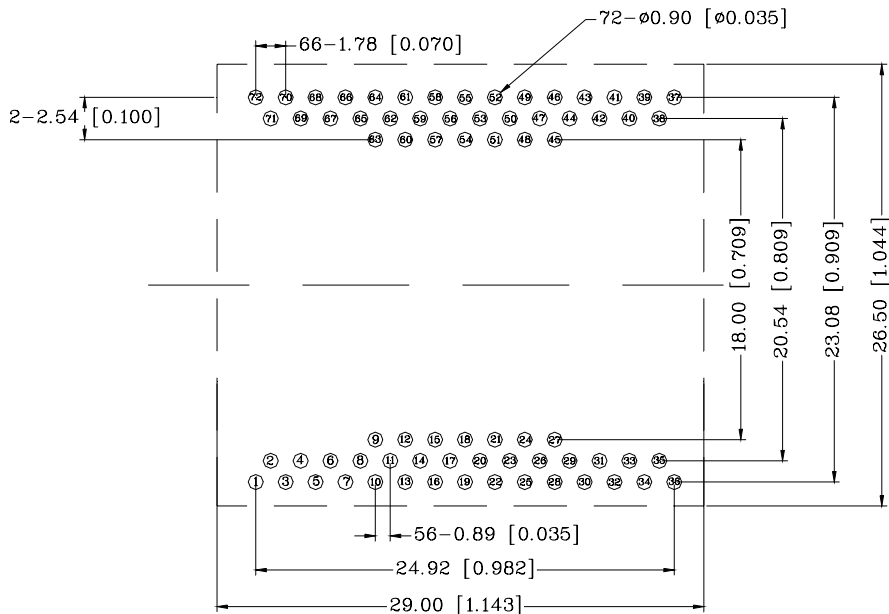
Units: mm[Inches] Tolerances: xx.x0±0.25[0.010]
0.xx±0.05[0.002]

PGP-E



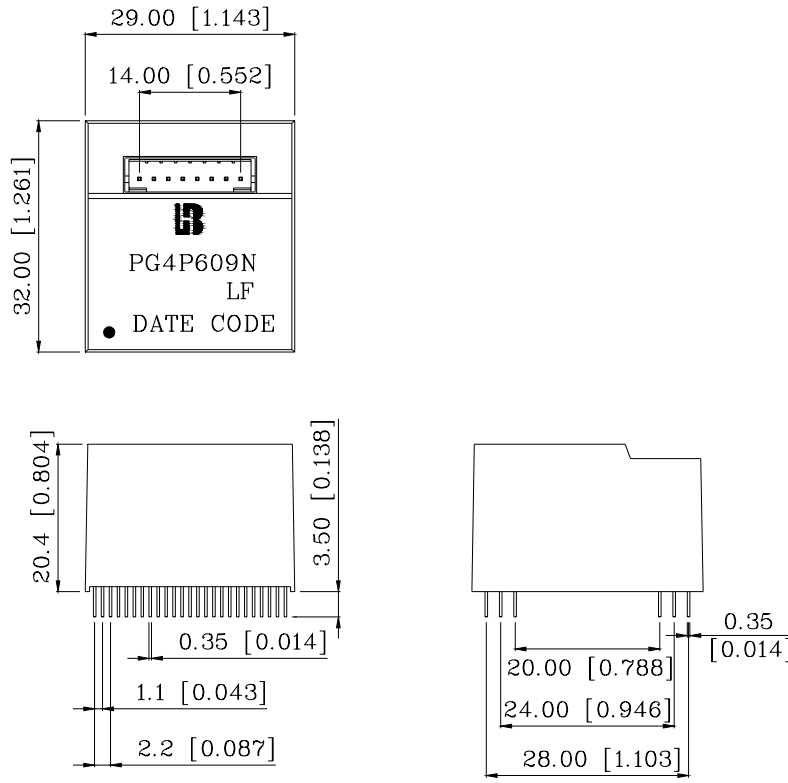
Units: mm[Inches] Tolerances: xx.x0±0.25[0.010]
0.xx±0.05[0.002]

PCB Layout mounting Hole (Top View)



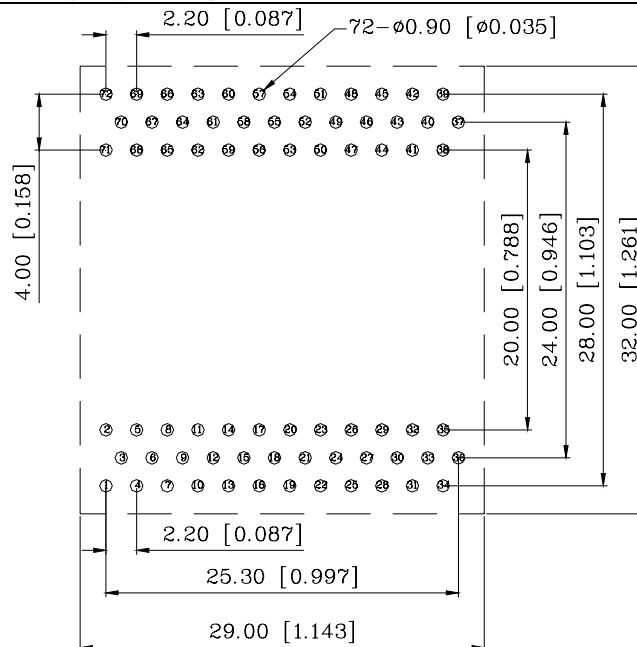
Units: mm[Inches] Tolerances: xx.x0±0.25[0.010]
0.xx±0.05[0.002]

PGP-F



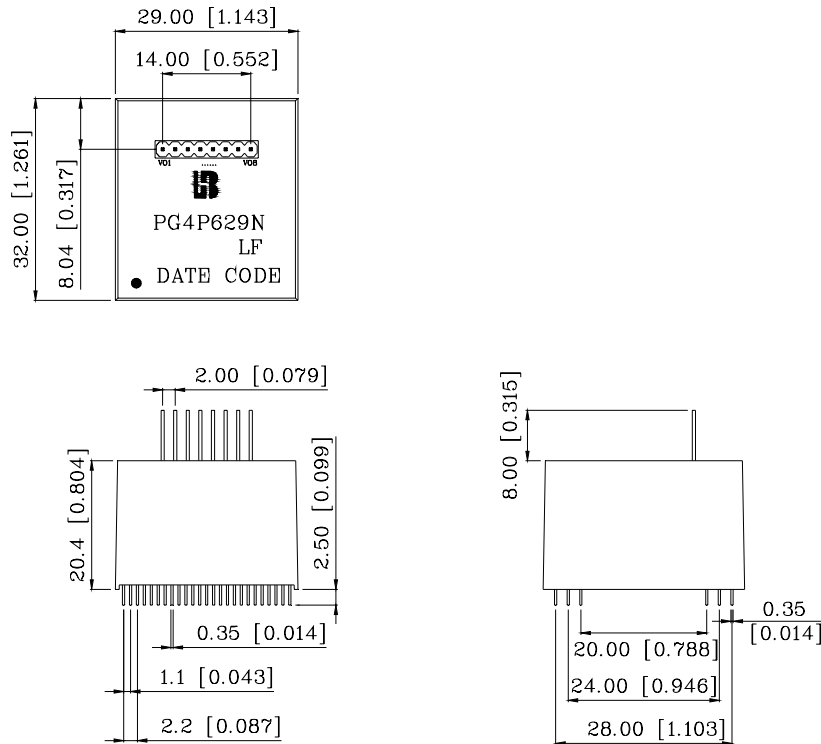
Units: mm [Inches] Tolerances XX.X0 : ±0.25 [0.010]
0.XX : ±0.05 [0.002]

PCB Layout mounting Hole (Top View)



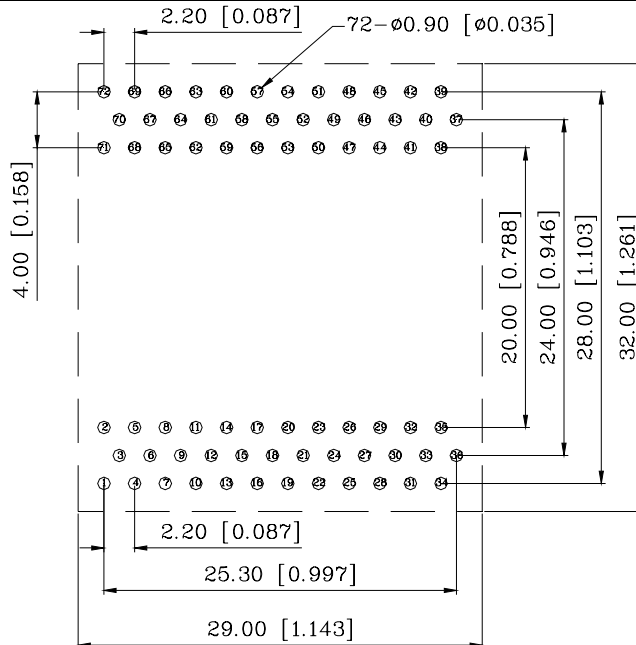
Units: mm [Inches] Tolerances XX.X0 : ±0.25 [0.010]
0.XX : ±0.05 [0.002]

PGP-G



Units: mm[Inches] Tolerances XX.X0 : ±0.25[0.010]
0.XX : ±0.05[0.002]

PCB Layout mounting Hole (Top View)

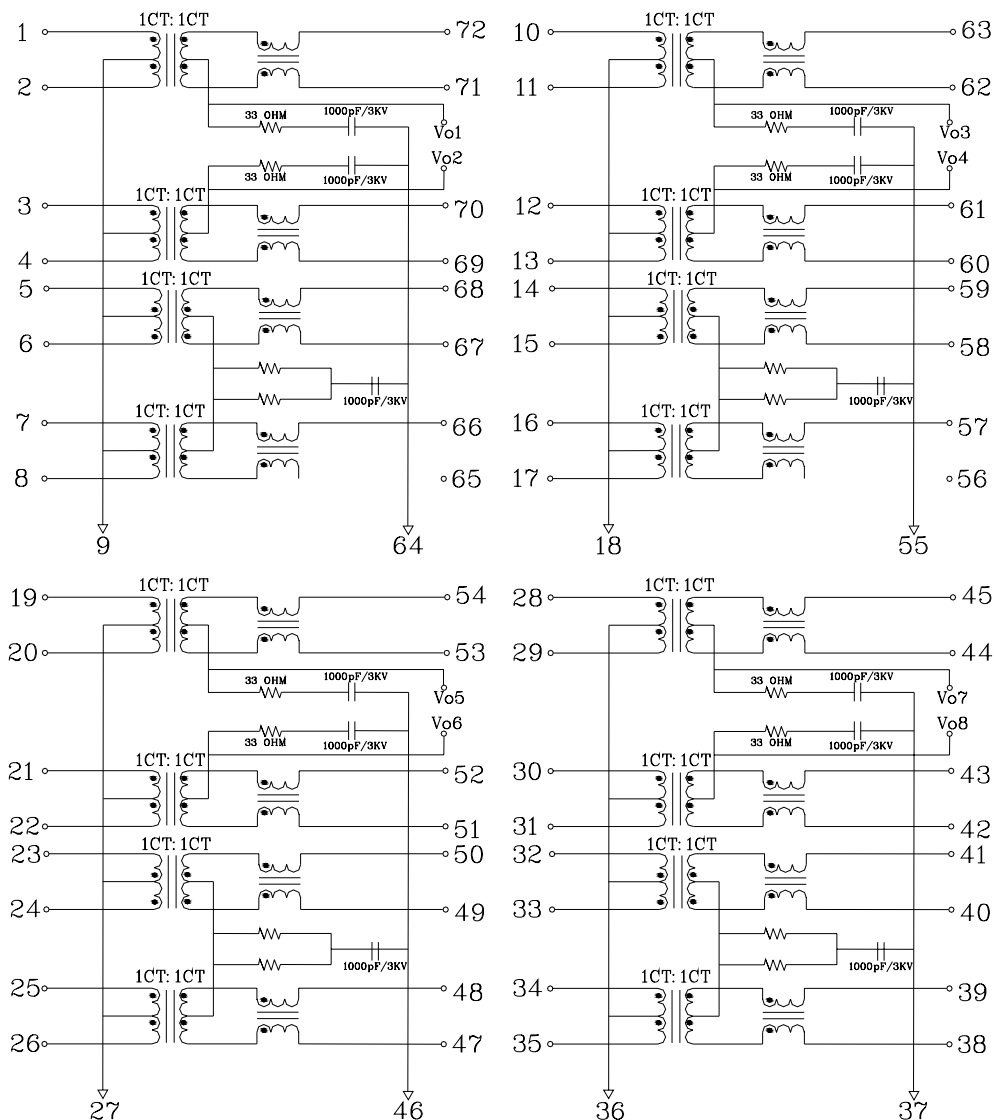


Units: mm[Inches] Tolerances XX.X0 : ±0.25[0.010]
0.XX : ±0.05[0.002]

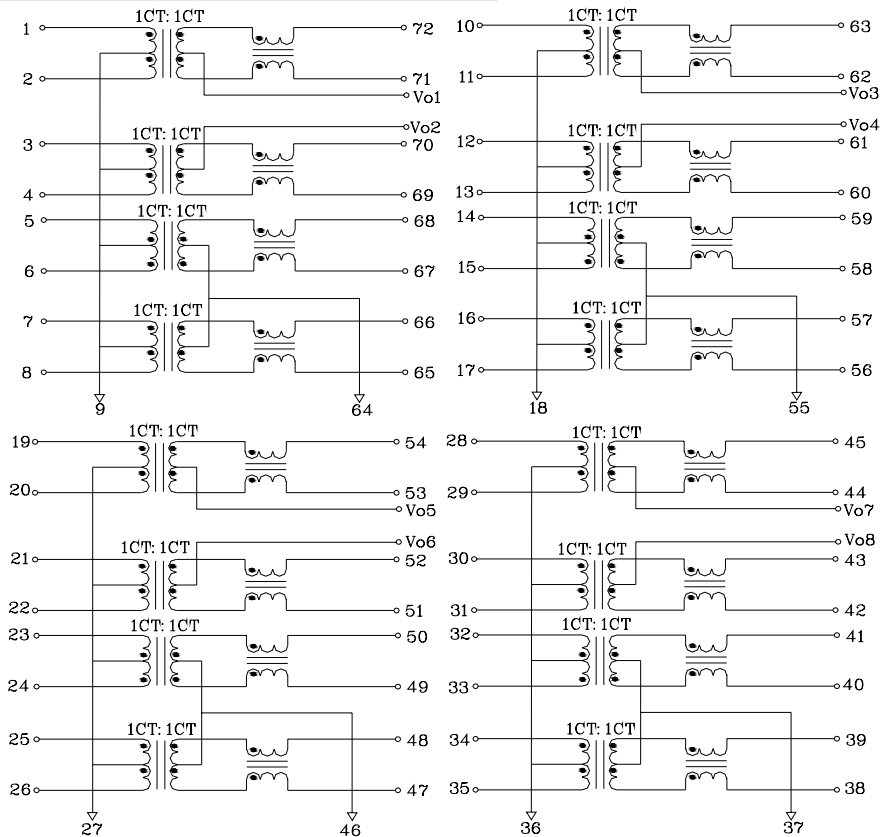
Specification	Packing Manner	Q'ty per Tube/Reel	Q'ty/ Inner box	Q'ty/Carton
PGP-A	TUBE	14	350	700
PGP-B	TUBE	17	256	512
PGP-C	TUBE	17	256	512
PGP-D	TUBE	17	340	680
PGP-E	TUBE	17	272	544
PGP-F	TUBE	16	192	384
PGP-G	TUBE	16	144	288

Schematics

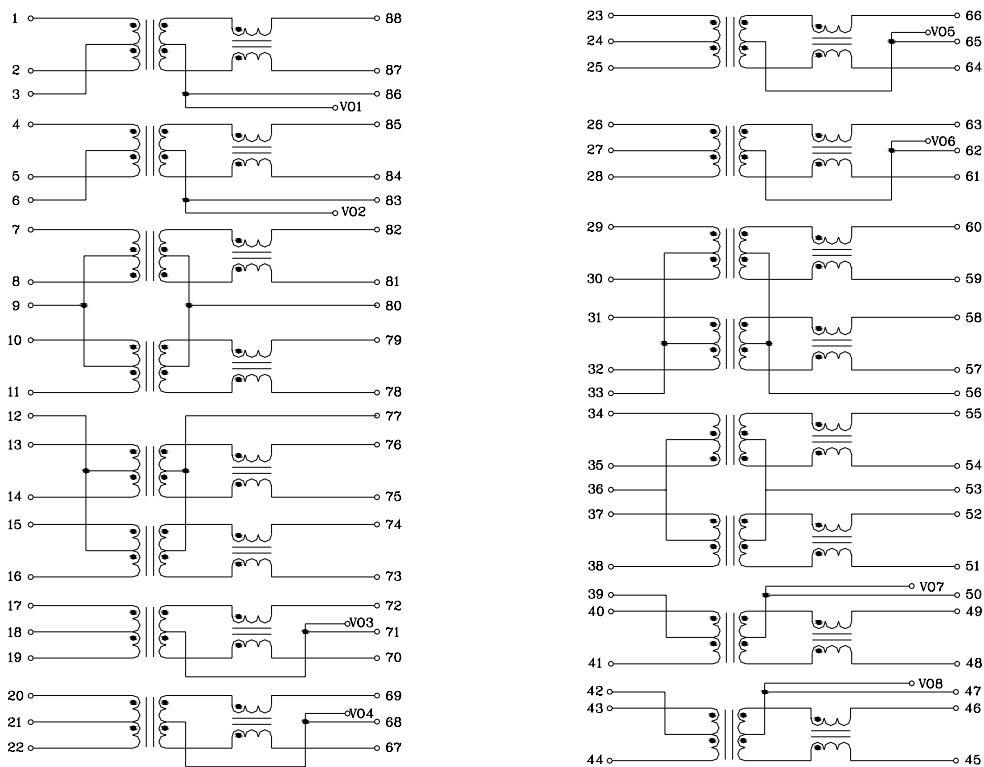
PG4P109 LF/ PG4P209 LF



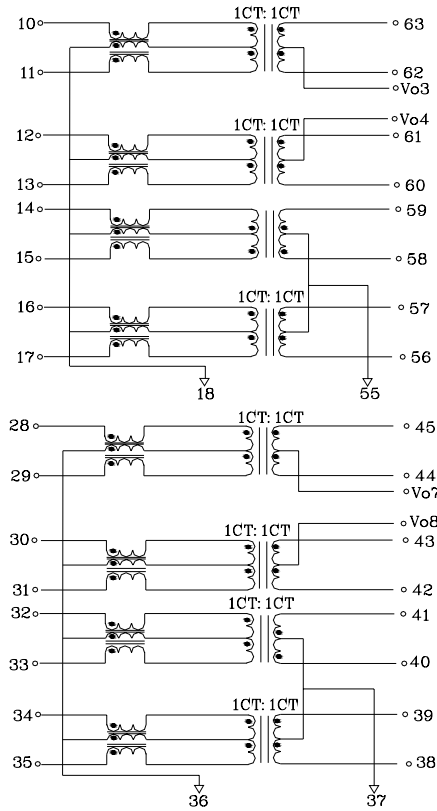
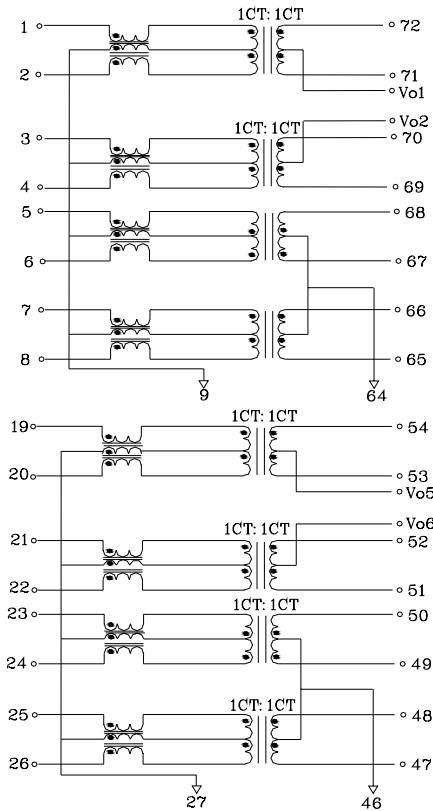
PG4P209N LF/ PG4P 229N LF/ PG4P609N LF/ PG4P809N LF



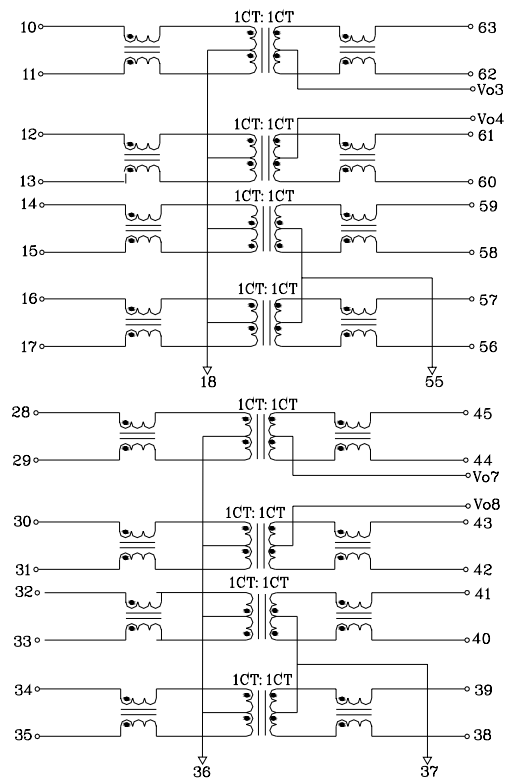
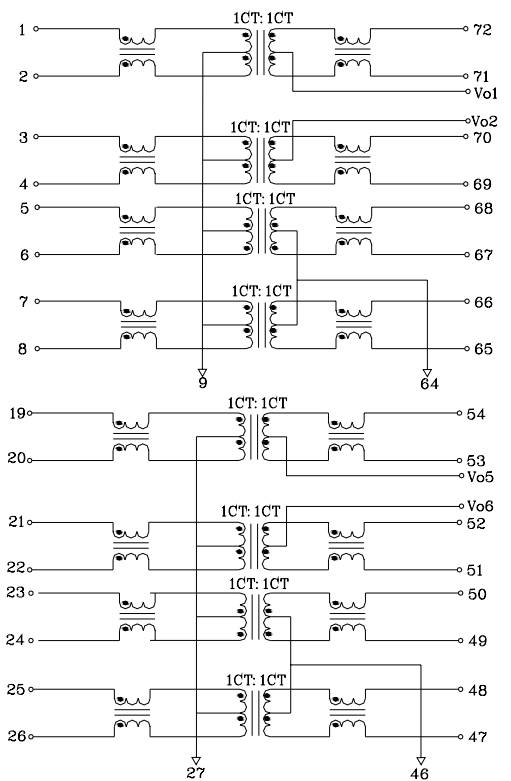
PGP5409A LF



PG4P209RZN LF



PG4P216N LF



PG4P109N LF/ PG4P229AN LF/ PG4P629N LF/ PG4P829N LF

