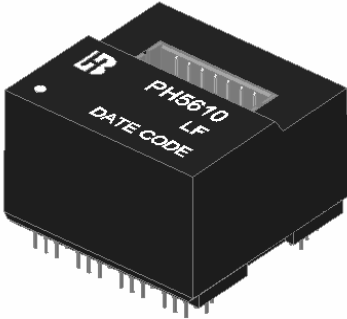


**1000 BASE –T QUAD PORT  
MAGNETICS MODULES  
P/N: PH5610 LF DATA SHEET**



**Feature**

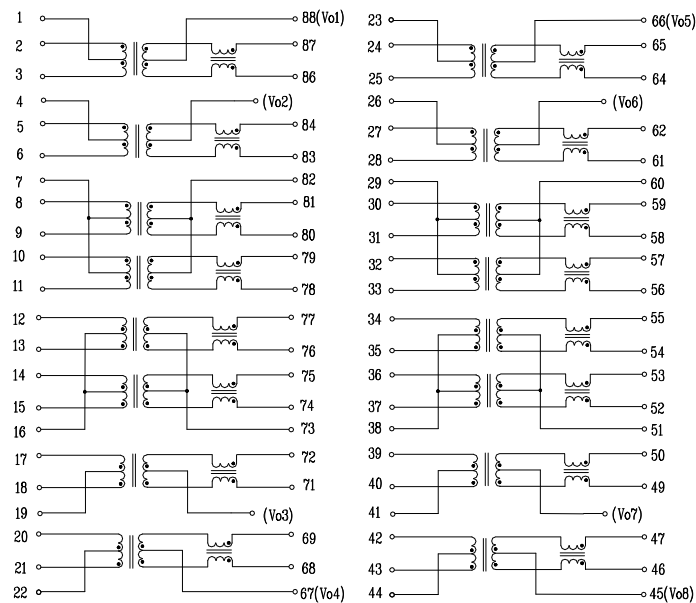


- Complying with IEEE 802.3at standard for 1000 BASE-T , full duplex applications.
- Supports 16 pairs of category 5 UTP cable.
- Cable interface for isolation and low common mode emissions.
- Complying with ROHS requirements.
- Operating temperature range: 0°C to +70°C.
- Storage temperature range: -25°C to +85°C.

Electrical Specifications @ 25°C							
Part Number	Turns Ratio (±5%)		OCL (uH Min) @100KHz/0.1V with 8mA DC Bias	Cross talk Attenuation (dB Min)			HI-POT (Vrms)
	TX	RX		30MHz	60MHz	100MHz	
PH5610 LF	1CT:1CT	1CT:1CT	350	-40	-35	-30	1500

Continue									
Part Number	Insertion Loss (dB Max)	Return Loss (dB Min @100Ω)					DCMR (dB Min)		
		1-100MHz	1-30MHz	40MHz	50MHz	60-80MHz	100MHz	30MHz	60MHz
PH5610 LF	-1.0	-18	-16	-14.08	-12.5	-10	-43	-37	-33

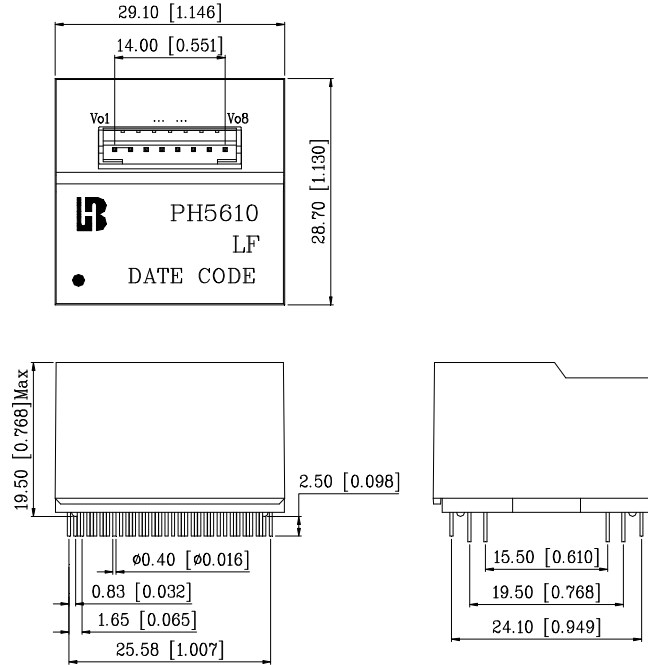
**Schematic**



**1000 BASE -T QUAD PORT  
MAGNETICS MODULES  
P/N: PH5610 LF DATA SHEET**

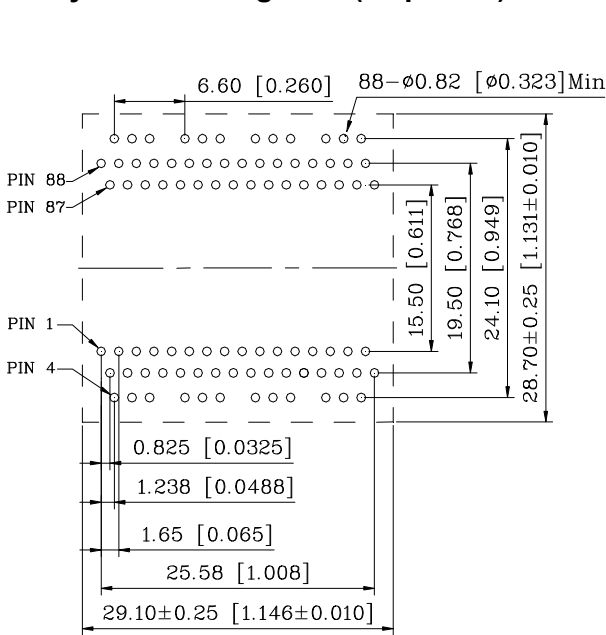


**Mechanical**

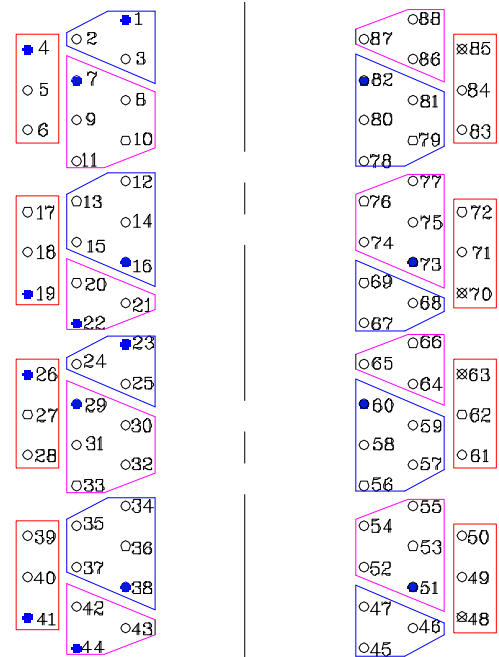


Units: mm[Inches]Tolerances XX.X0 : ±0.25[0.010]  
0.XX : ±0.05[0.002]

**PCB Layout mounting Hole ( Top View )**



Unless otherwise specified,  
all dimension tolerance are: ±0.08[±0.003]



Blue : Center Tap  
⊗ : No electrical