

With 100/1000/Base-T Magnetics Module

Meets IEEE 802.3 Specification

ROHS peak reflow temperature rating 255 °C.

10/100/1000 Base-T, Surface Mount Type, Open Header.

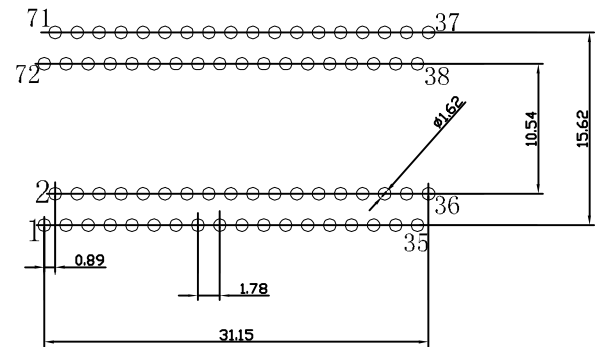
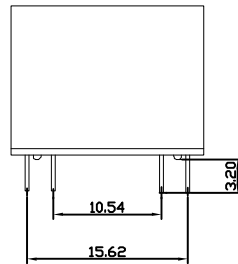
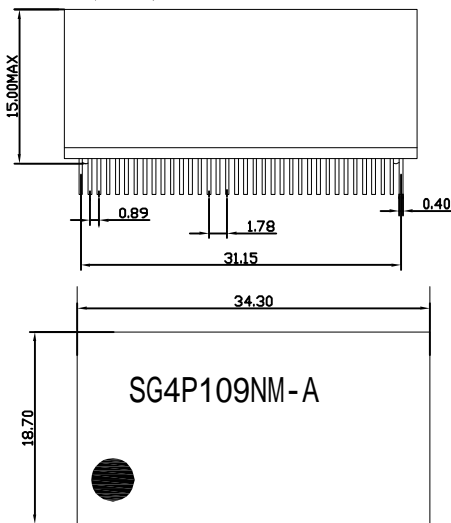
Operating temperature range: -40 °C to +85 °C

Storage temperature range: -40 °C to +125 °C

Electrical Specifications 25 °C.

| OCL(uH Min) 100KHz 0.2V | Turns Ratio | Insertion Loss (dB Max) | Return Loss (dB Min) | | | Cross talk (dB Min) | | CMRR (dB Min) | HI-POT (Vrms) |
|----------------------------|-------------|----------------------------|-------------------------|--------------------|------------|------------------------|--------------------|------------------|------------------|
| With 8mA DC Bias | TX=1CT:1CT | 0.5-100MHz | 0.5-30MHz | 30.1-60MHz | 60.1-80MHz | 0.5-40MHz | 40.1-100MHz | 0.5-100MHz | 0.5-100MHz |
| 350 | | -1.1 | -18 | -18+20 * log(f/30) | -12 | -35 | -33+20 * log(f/50) | -30 | 1500 |

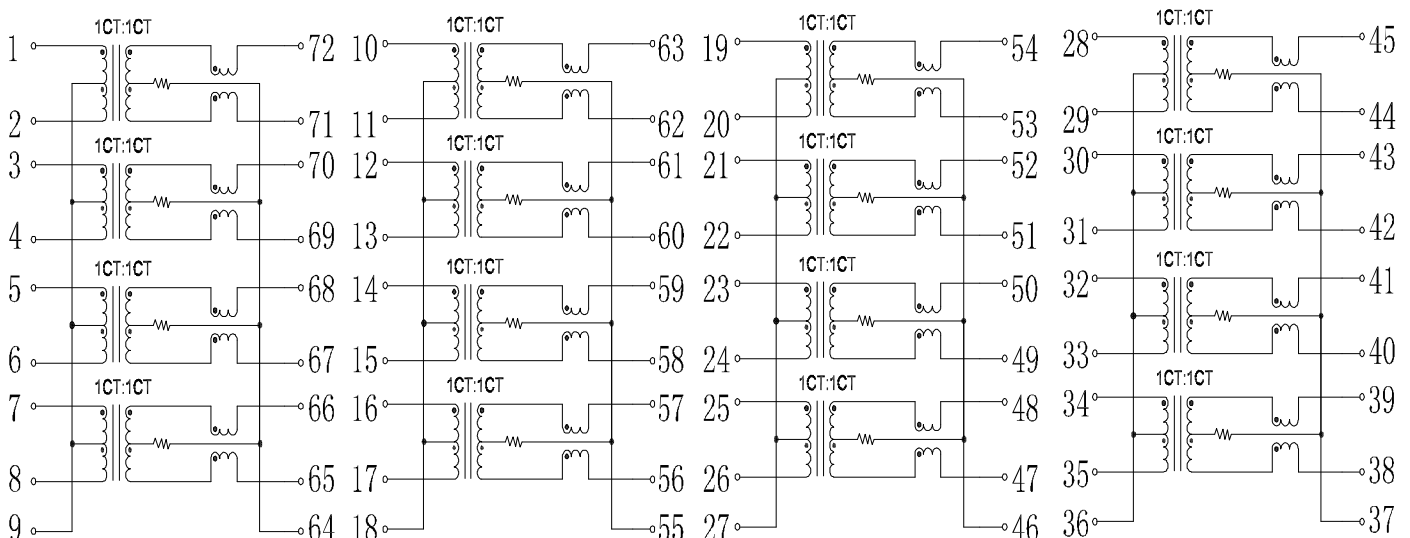
Mechanical:



P. C. B RECOMMENDED HOLE LAYOUT SEEN FROM COMPONENT SIDE.

ALL CENTERLINE DIMENSIONS ARE BASIC

Schematic:



| | | | | | |
|---|-------------|--|------------------------------------|-----------------|-----------------|
| P/N: SG4P109NM-A | Units: mm | Unless otherwise stated otherwise tolerances as follows: .XXX ±0.10 .XX ±0.25 .X ± 0.35 ANG ±3° | Rev: A | Draw : Kal | Date:2010/05/08 |
| | Scale: None | | Page: 1/1 | Checked : Ansom | Date:2010/05/08 |
| http://www.bothhandUSA.com | | | 462 Boston St, Topsfield, MA 01983 | Approved: Ansom | Date:2010/05/08 |