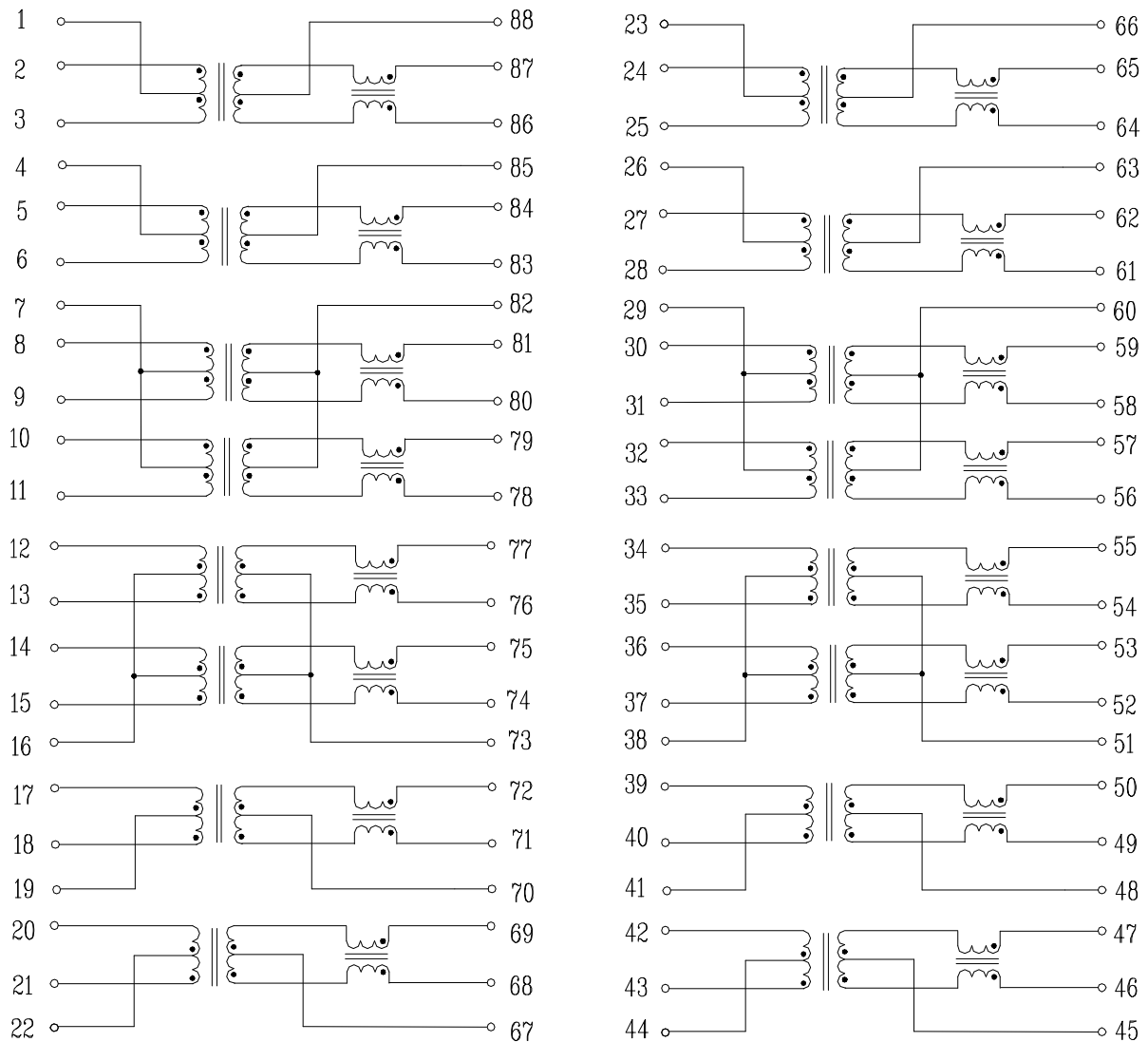


With 100/1000 Base-T Magnetics Module

# SCHEMATICS:

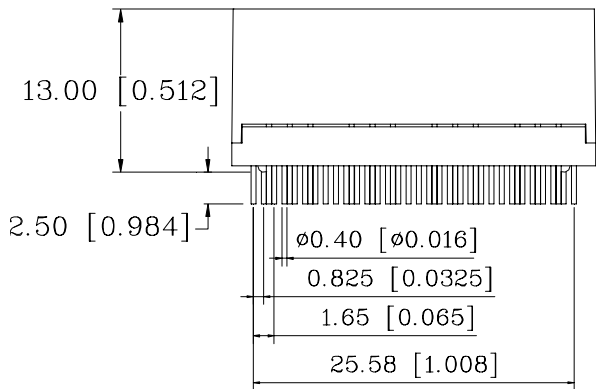
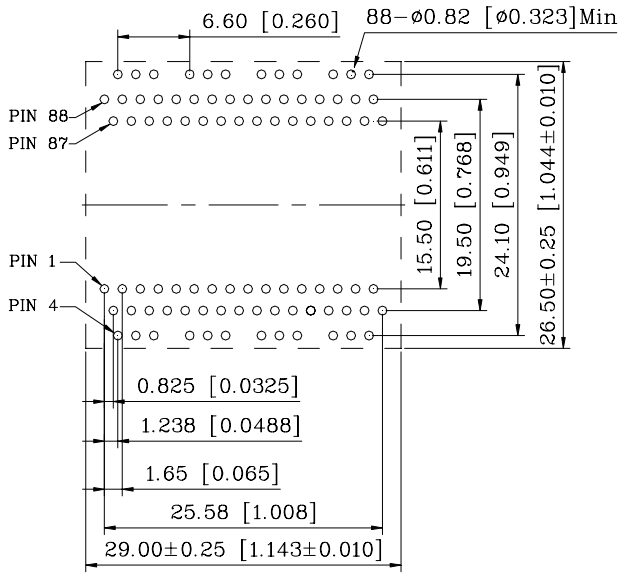
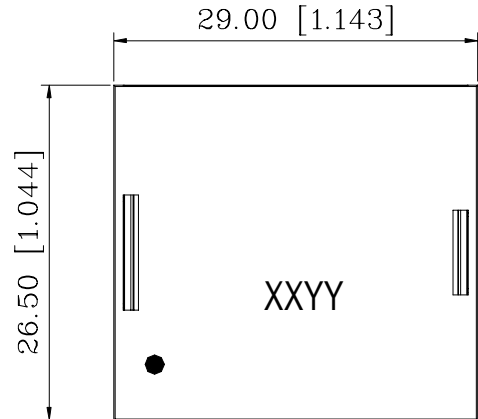
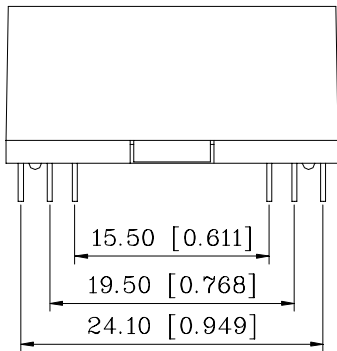


P/N: SGH5610-LF	Units: mm	Unless otherwise stated otherwise tolerances as follows: .XXX ±0.10 .XX ±0.25 .X± 0.35 ANG ±3°	Rev: A	Draw : Kal	Date:2010/05/08
	Scale: None		Page: 1/4	Checked : Ansom	Date:2010/05/08
<a href="http://www.bothhandUSA.com">http://www.bothhandUSA.com</a>			462 Boston St, Topsfield, MA 01983	Approved: Ansom	Date:2010/05/08

With 100/1000 Base-T Magnetics Module

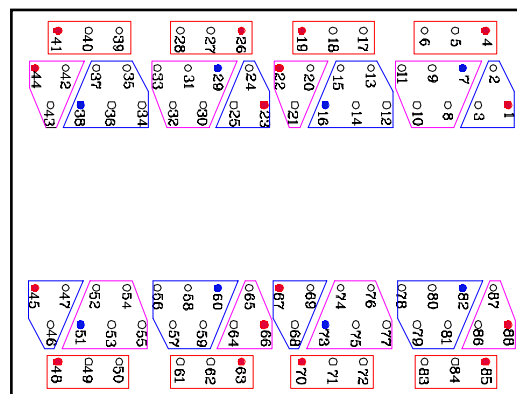
# Mechanical:

## Mechanical



### PCB Layout mounting Hole ( Top View )

Red : Center Tap  
Blue : Center Tap



P/N: SGH5610-LF	Units: mm	Unless otherwise stated otherwise tolerances as follows: .XXX ±0.10 .XX ±0.25 .X± 0.35 ANG ±3°	Rev: A	Draw : Kal	Date:2010/05/08
	Scale: None		Page: 2/4	Checked : Ansom	Date:2010/05/08
<a href="http://www.bothhandUSA.com">http://www.bothhandUSA.com</a>			462 Boston St, Topsfield, MA 01983	Approved: Ansom	Date:2010/05/08

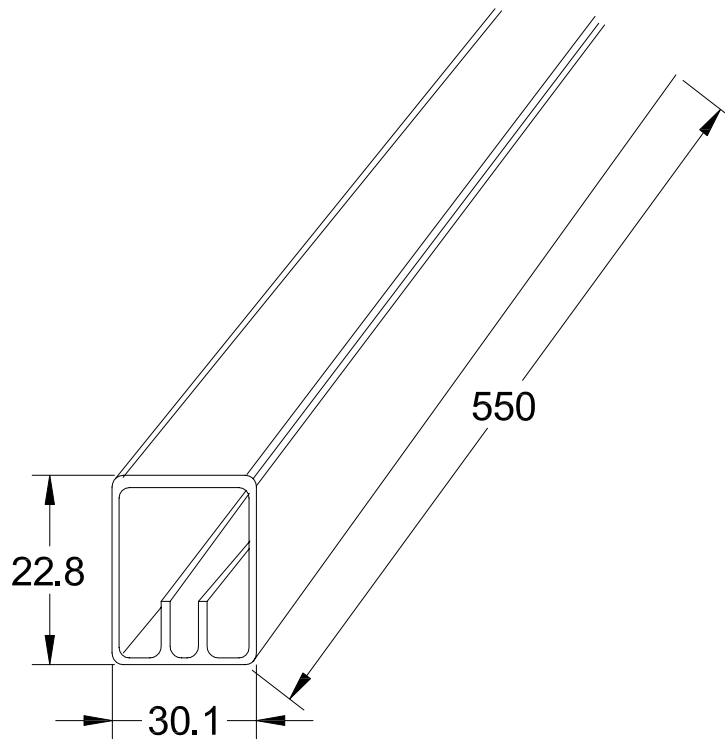
With 100/1000 Base-T Magnetics Module

### ELECTRICAL SPECIFICATIONS @25 °C

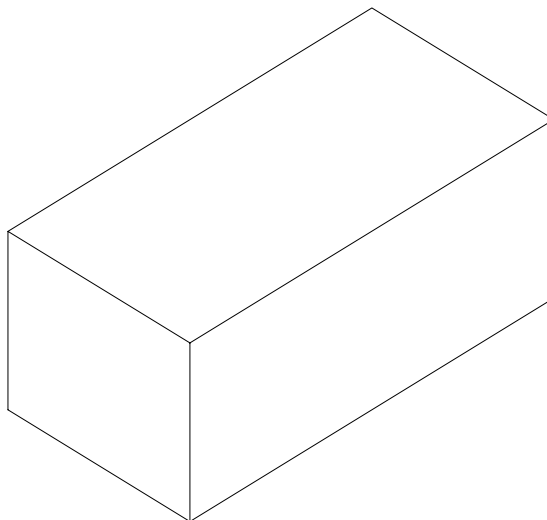
1. OCL: 350 uH Min @ 100KHz, 0.1 V 8mA DC BIAS
2. Leakage Inductance: 0.5 uH Max @ 100KHz, 0.1 V
3. DCR: 1 400 mΩ Max
4. Turns Ratio: 1 CT:1 CT±5%
5. Insertion Loss: -1.1 dB Max @ 1-100 MHz
6. Return Loss: -18 dB Min @ 1-30 MHz
  - 14.4 dB Min @ 40 MHz
  - 13.1 dB Min @ 50 MHz
  - 12 dB Min @ 60-80 MHz
  - 10 dB Min @ 100 MHz
7. Cross Talk: -30 dB Min @ 1-100 MHz
8. Common Mode Rejection: -30 dB Min @ 1-100 MHz
9. Isolation Hipot: 1500VAC 1mA 60S
10. Operating temperature -25 °C to +125 °C
11. Storage temperature -25 °C to +125 °C
12. IEEE802.3at compliant performance

P/N: SGH5610-LF	Units: mm	Unless otherwise stated otherwise tolerances as follows: .XXX ±0.10 .XX ±0.25 .X± 0.35 ANG ±3°	Rev: A	Draw : Kal	Date:2010/05/08
	Scale: None		Page: 3/4	Checked : Ansom	Date:2010/05/08
<a href="http://www.bothhandUSA.com">http://www.bothhandUSA.com</a>			462 Boston St, Topsfield, MA 01983	Approved: Ansom	Date:2010/05/08

With 100/1000/Base-T Magnetics Module



Tube: 550\*30.1\*22.8mm



Carton: L570\*W240\*H190mm

Package Quantity

One Tube=17Pcs

One Carton=17\*62=1054Pcs

P/N: SGH5610-LF	Units: mm	Unless otherwise stated otherwise tolerances as follows: .XXX ±0.10 .XX ±0.25 .X± 0.35 ANG ±3°	Rev: A	Draw : Kal	Date:2010/05/08
	Scale: None		Page: 4/4	Checked : Ansom	Date:2010/05/08
<a href="http://www.bothhandUSA.com">http://www.bothhandUSA.com</a>			462 Boston St, Topsfield, MA 01983		Approved: Ansom Date:2010/05/08