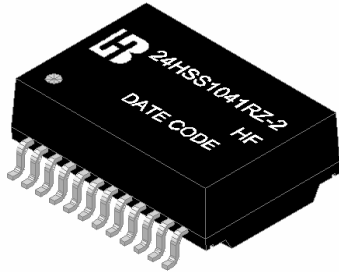


**Feature**



- Designed for long haul gigabit Ethernet 1000 BASE-T, full duplex applications.
- Supports 4 pairs of category 5 UTP cable.
- Cable interface for isolation and low common mode emissions.
- Compliant with IEEE 802.3ab standard for 1000 BASE-T.
- Comply with ROHS & Halogen Free requirements.
- Operating temperature range: 0°C to +70°C.
- Storage temperature range: -25°C to +85°C.

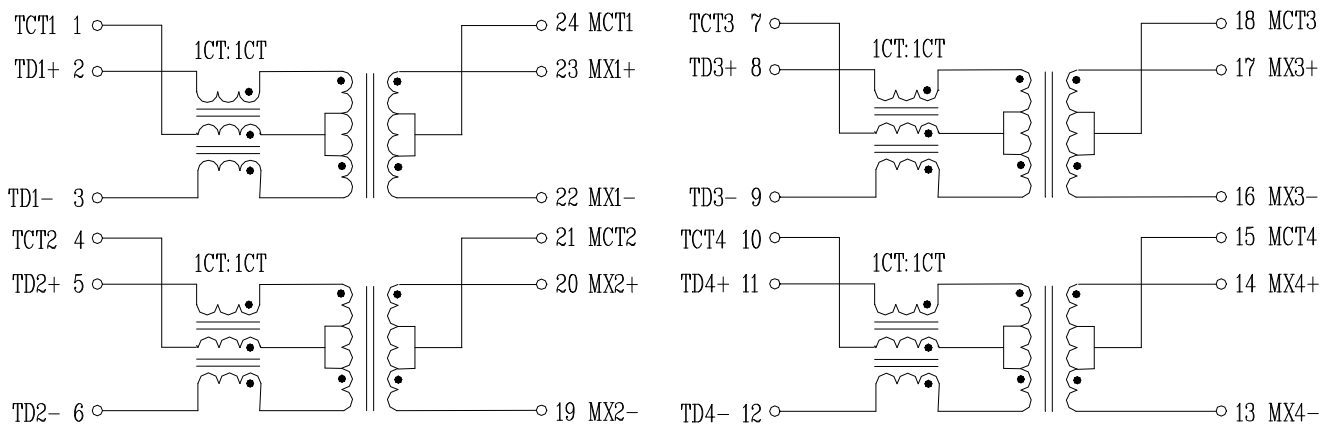
**Electrical Specifications @ 25°C**

Part Number	Turns Ratio (±5%)		OCL (uH Min) @100KHz/0.1V with 8mA DC Bias	Cross talk Attenuation (dB Min)		HI-POT (Vrms)
	TX	RX		1MHz	10-100MHz	
24HSS1041RZ-2 HF	1CT:1CT	1CT:1CT	350	-50	-33	1500

**Continue**

Part Number	Insertion Loss (dB Max)		Return Loss (dB Min)@Load 100Ω				CMRR (dB Min)	
	100MHz	1-125MHz	1-40MHz	60MHz	80MHz	100MHz	2MHz	30-200MHz
24HSS1041RZ-2 HF	-1.2	-2.0	-16	-12.5	-10	-8	-50	-15

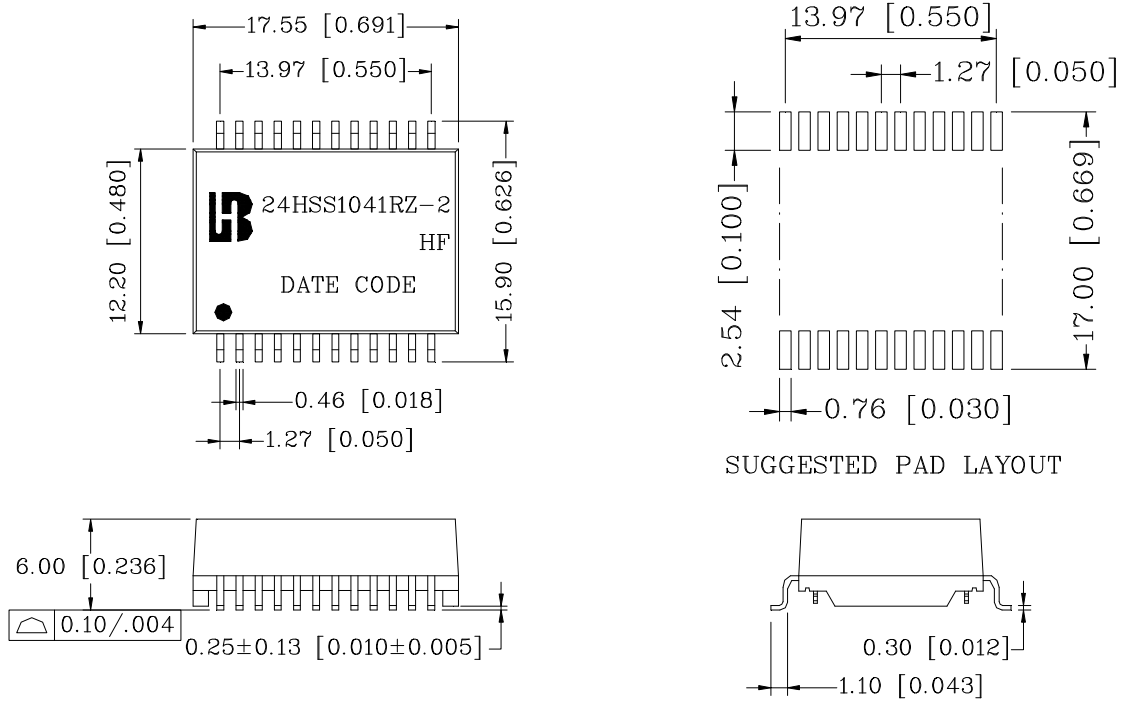
**Schematic**



**1000 BASE -T MAGNETICS MODULES**  
**P/N: 24HSS1041RZ-2 HF DATA SHEET**



**Mechanical**



Units: mm[Inches] Tolerances: xx.x0±0.25[0.010]  
 0.xx±0.05[0.002]