

## 1000 BASE-T MAGNETICS MODULES

- Designed for long haul gigabit Ethernet 1000 BASE-T, full duplex applications.
- Supports 4 pairs of category UTP-5 cable.
- Cable interface for isolation and low common mode emissions.
- Compliant with IEEE 802.3at standard.
- Comply with ROHS & Halogen Free requirements.
- Operating temperature range: 0 to +70 .
- Storage temperature range: -25 to +85 .



### Electrical Specifications @ 25

Part Number	Return Loss (dB Min @ Load 100 )					Cross talk (dB Min)			DCMR (dB Min)		
	1-30MHz	40MHz	50MHz	60-80MHz	100MHz	30MHz	60MHz	100MHz	30MHz	60MHz	100MHz
24HSS1041A-2 HF	-18	-14.4	-13.1	-12	-10	-45	-40	-35	-43	-37	-33
24HSS1041AX-2 HF	-18	-14.4	-13.1	-12	-10	-45	-40	-35	-43	-37	-33
24HSS1041-2 HF	-18	-14.4	-13.1	-12	-10	-45	-40	-35	-43	-37	-33
24HSS1041R-2 HF	-18	-14.4	-13.1	-12	-10	-45	-40	-35	-43	-37	-33
24HSS1041C-2 HF	-18	-14.4	-13.1	-12	-10	-40	-35	-30	-43	-37	-33
24HSS1041Y-2 HF	-18	-14.4	-13.1	-12	-10	-45	-40	-35	-43	-37	-33
24HSS1041AM-2 <sup>1</sup> HF	-18	-14.4	-13.1	-12	-10	-45	-40	-35	-43	-37	-33
24HSS1041E-2 HF	-18	-14.4	-13.1	-12	-10	-45	-40	-35	-43	-37	-33

### Continue

Part Number	Turns Ratio (±5%)		OCL(Uh Min) @100KHz/0.1V with 8mA Bias	C <sub>w/w</sub> (Pf Max)	L.L (Mh Max)	Insertion Loss (dB Max) 1-100MHz	HI-POT
	TX	RX					
24HSS1041A-2 HF	1CT:1	1CT:1	350	-	-	-1.0	1500
24HSS1041AX-2 HF	1CT:1	1CT:1	350	56	0.5	-1.0	1500
24HSS1041-2 HF	1CT:1CT	1CT:1CT	350	-	-	-1.0	1500
24HSS1041R-2 HF	1CT:1CT	1CT:1CT	350	-	-	-1.0	1500
24HSS1041C-2 HF	1CT:1CT	1CT:1CT	350	-	-	-1.0	1500
24HSS1041Y-2 HF	1CT:1	1CT:1	350	-	-	-1.0	1500
24HSS1041AM-2 <sup>1</sup> HF	1CT:1	1CT:1	350	-	-	-1.0	1500
24HSS1041E-2 HF	1CT:1CT	1CT:1CT	350	-	-	-1.0	1500

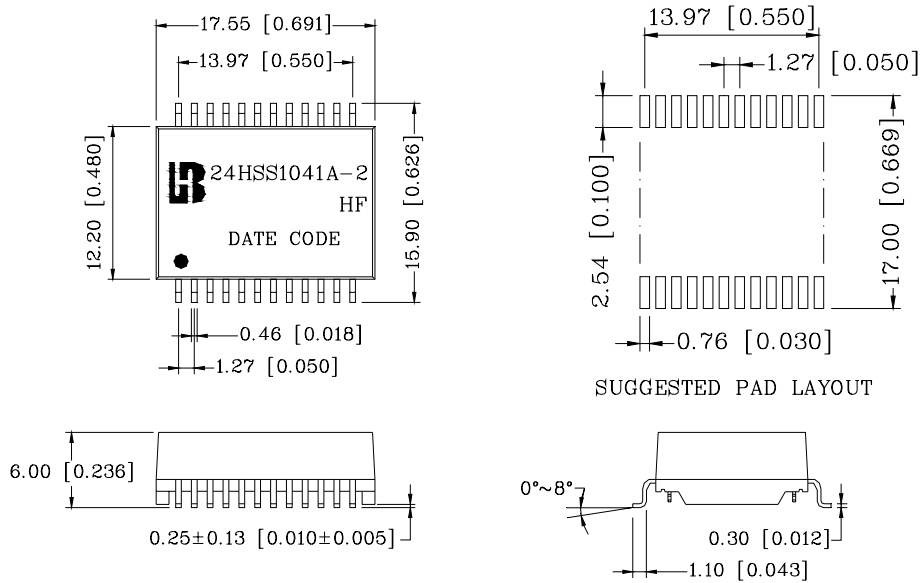
#### NOTE:

1. Operating temperature range: -40 to +85

For customized parts or more detailed information, please log on [www.bothhandusa.com](http://www.bothhandusa.com) or write to [sales@bothhandusa.com](mailto:sales@bothhandusa.com)

**Mechanicals**

**24HSSXXXX-2 HF**

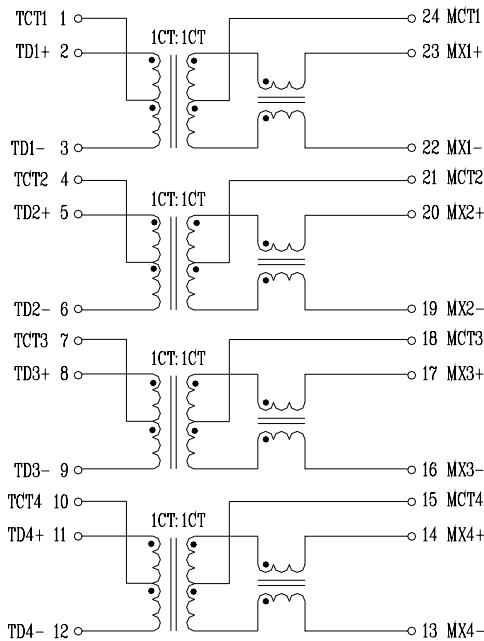


Units: mm[Inches] Tolerances: xx.x0±0.25[0.010]  
0.xx±0.05[0.002]

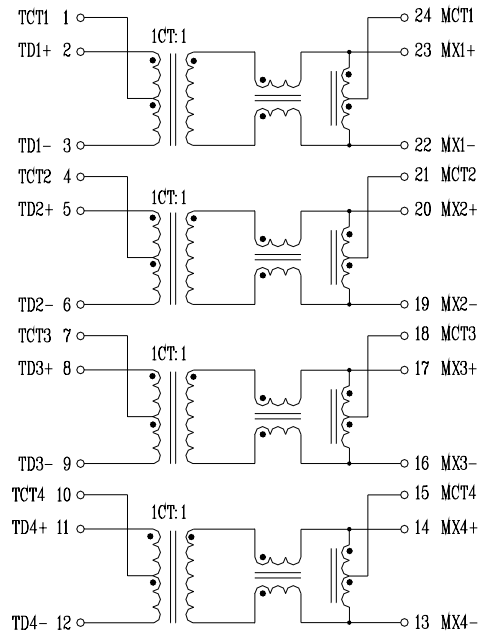
Specification	Packing Manner	Q'ty per Tube/Reel	Q'ty/ Inner box	Q'ty/ Carton
24HSSXXXX-2 HF	REEL	350	350	1750

**Schematics**

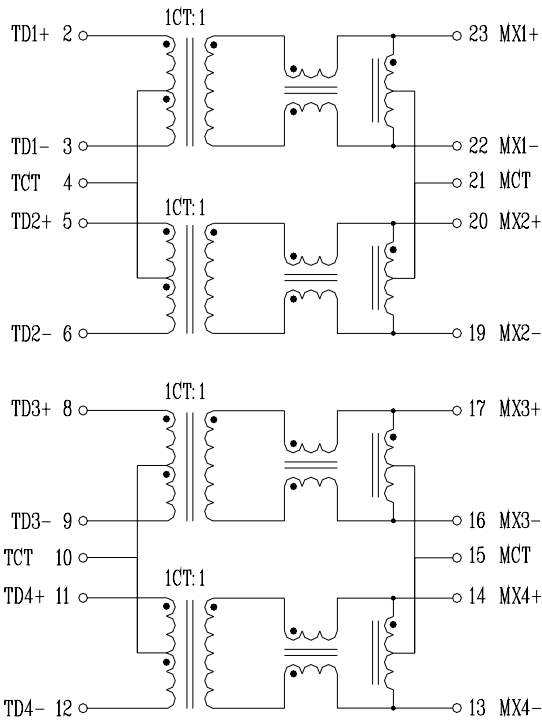
**24HSS1041-2 HF / 24HSS1041R-2 HF**



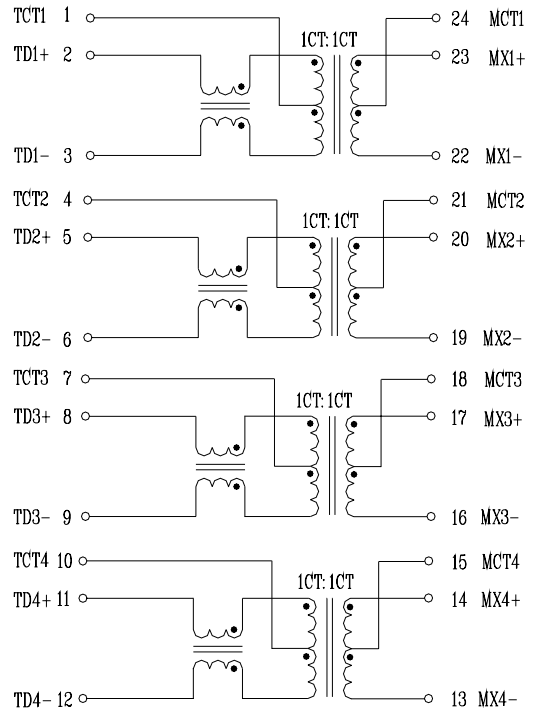
**24HSS1041A-2 HF / 24HSS1041AM-2 HF**



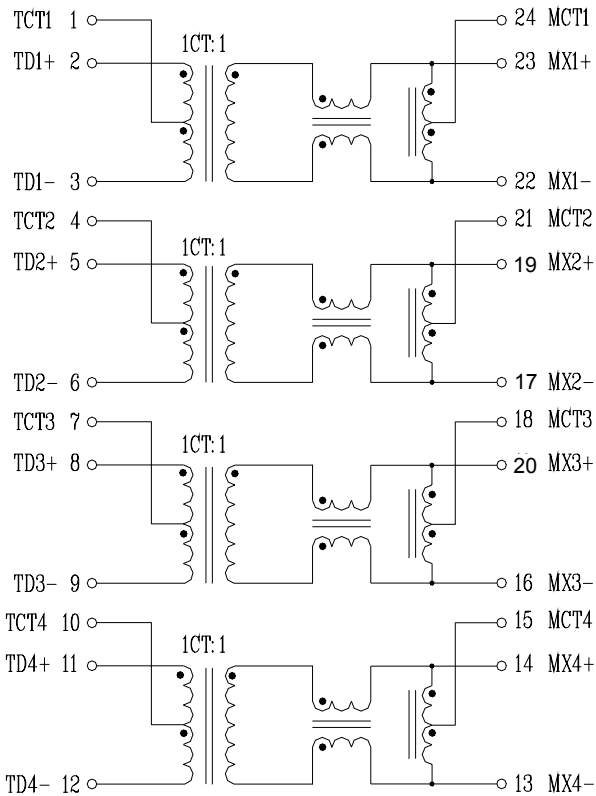
**24HSS1041AX-2 HF**



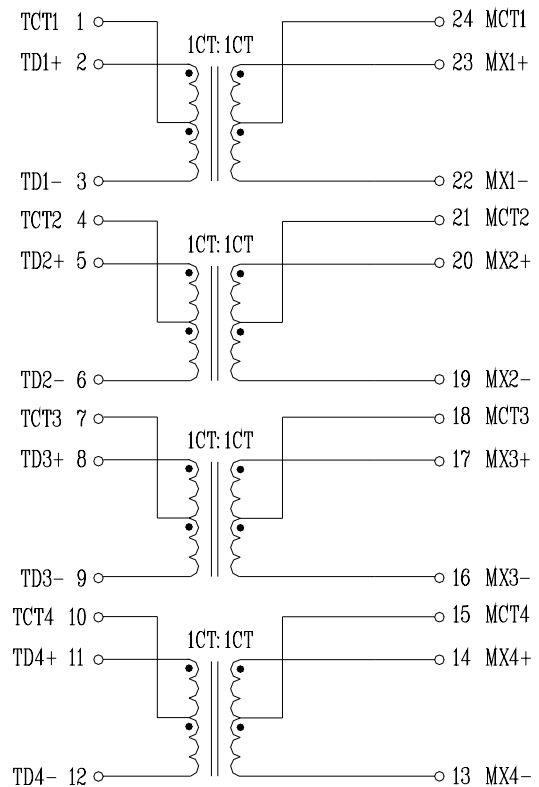
**24HSS1041C-2 HF**



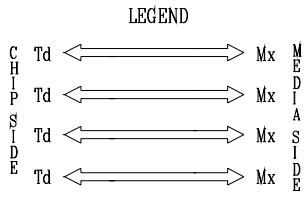
**24HSS1041Y-2 HF**



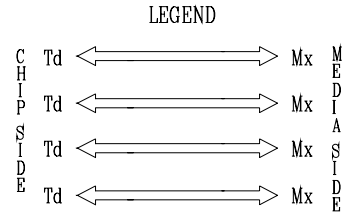
**24HSS1041E-2 HF**



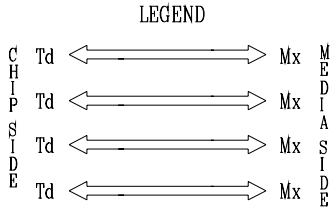
**24HSS1041-2 HF/ 24HSS1041R-2 HF**



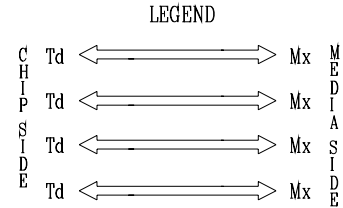
**24HSS1041A-2 HF /24HSS1041AM-2 HF**



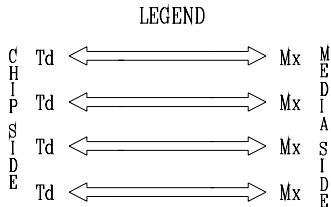
**24HSS1041AX-2 HF**



**24HSS1041C-2 HF**



**24HSS1041Y-2 HF**



**24HSS1041E-2 HF**

