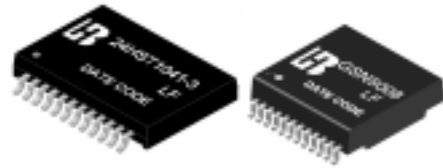


1000 BASE-T MAGNETICS MODULES

- Designed for long haul Gigabit Ethernet 1000 Base-T, Full Duplex applications
- Supports category 5 UTP cable
- Low common mode Emissions
- Compliant with IEEE 802.3ab standard for 1000 Base-T
- Operating temperature range: 0 to +70 .
- Storage temperature range: -10 to +85 .



Electrical Specifications @ 25

Part Number	Return Loss (dB Min @ Load 100)					Cross talk (dB Min)			DCMR (dB Min)		
	1-30MHz	40MHz	50MHz	60-80MHz	100MHz	30MHz	60MHz	100MHz	30MHz	60MHz	100MHz
24HST1041-3 LF	-18	-14.4	-13.1	-12	-10	-45	-40	-35	-43	-37	-33
GSN5008 LF	-18	-14.4	-13.1	-12	-10	-45	-40	-35	-43	-37	-33
GSN5009 LF	-18	-14.4	-13.1	-12	-10	-45	-40	-35	-43	-37	-33
GSN5007 LF	-18	-14.4	-13.1	-12	-10	-45	-40	-35	-43	-37	-33
GSN5009Z LF	-18	-14.4	-13.1	-12	-10	-45	-40	-35	-43	-37	-33

Continue

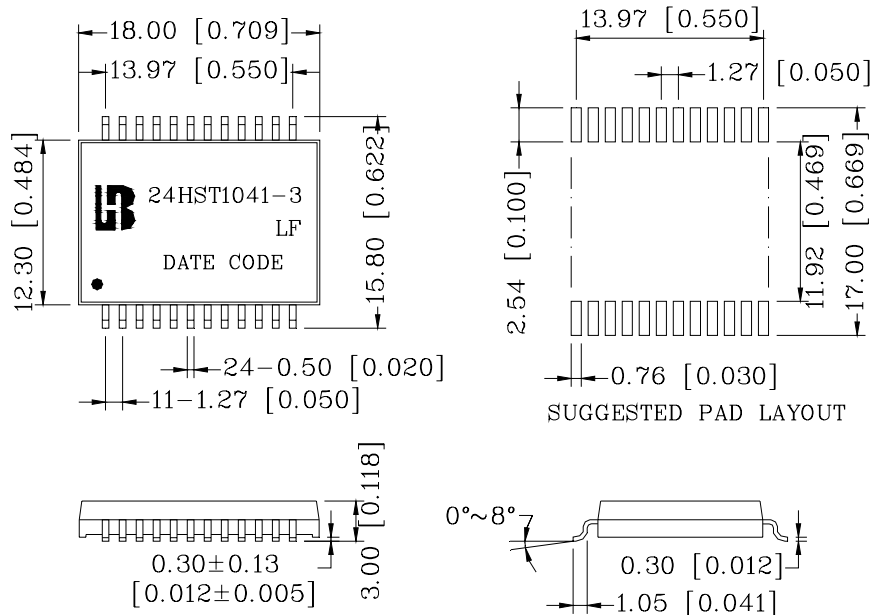
Part Number	Turns Ratio (±5%)		OCL(Uh Min) @100KHz/0.1V with 8Ma Bias	C _{w/w} (Pf Max)	L.L (Mh Max)	Insertion Loss (dB Max) 1-100MHz	Mesh	HI-POT
	TX	RX						
24HST1041-3 LF	1CT:1CT	1CT:1CT	350	28	0.5	-1.0	1000-A	1500
GSN5008 LF	1CT:1	1CT:1	350	-	-	-1.0	1000-B	1500
GSN5009 LF	1CT:1CT	1CT:1CT	-	-	-	-1.0	1000-B	1500
GSN5007 LF	1CT:1CT	1CT:1CT	350	-	-	-1.0	1000-B	1500
GSN5009Z LF	1CT:1CT	1CT:1CT	-	-	-	-1.2	1000-B	1500

For customized parts or more detailed information, please log on www.bothhandusa.com or write to sales@bothhandusa.com

1000 BASE-T MAGNETICS MODULES

Mechanicals

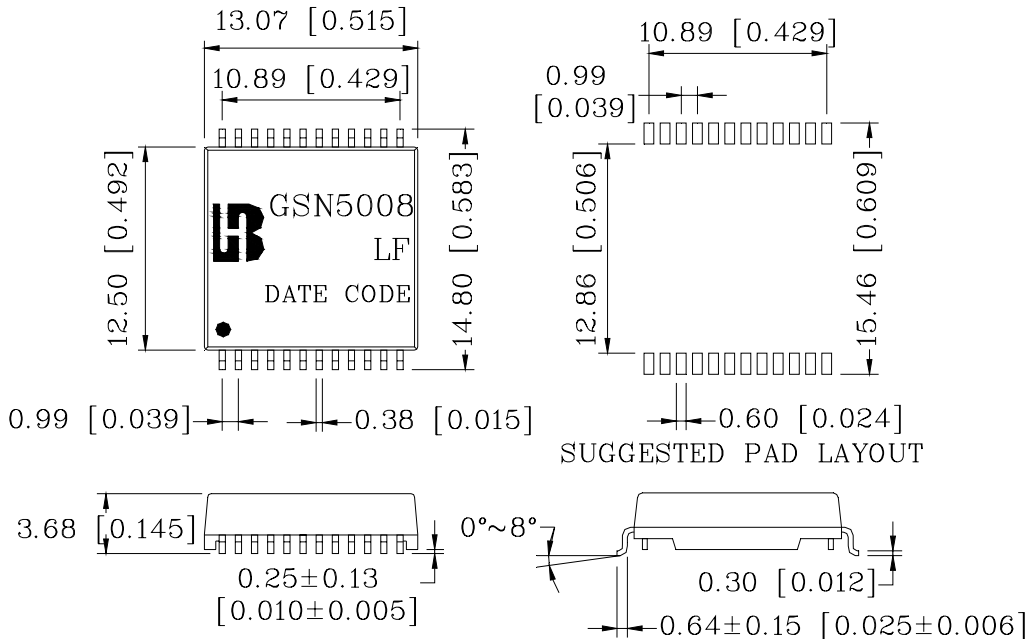
1000-A



Units: mm[Inches] Tolerances: xx.x0±0.25[0.010]

0.xx±0.05[0.002]

1000-B



Units: mm[Inches] XX.X0 : ±0.25[0.010]

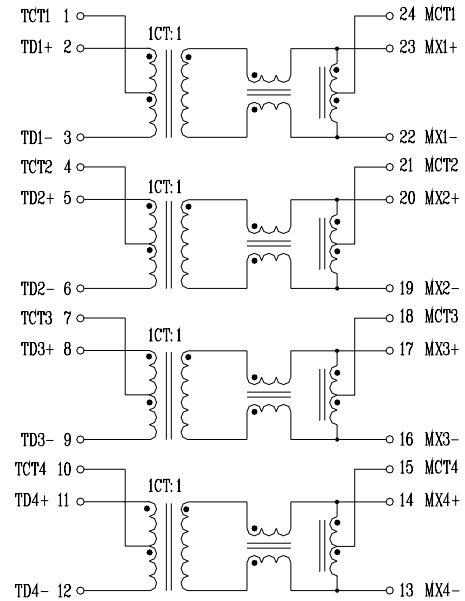
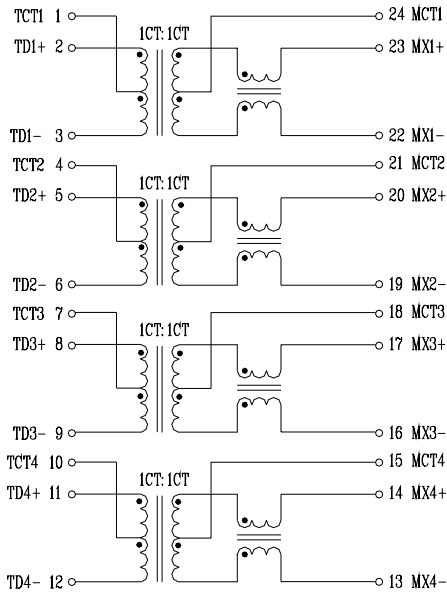
0.XX : ±0.05[0.002]

Specification	Packing Manner	Q'ty per Tube/Reel	Q'ty/ Inner box	Q'ty/ Carton
1000-A	REEL	800	800	4000
1000-B	REEL	700	700	3500

Schematics

24HST1041-3 LF /GSN5009 LF/ GSN5007 LF

GSN5008 LF



GSN5009Z LF

