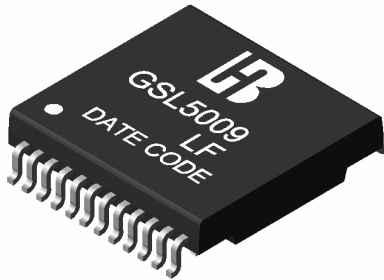


1000 BASE -T MAGNETICS MODULES

P/N: GSL5009 LF DATA SHEET

Feature



- Designed for long haul gigabit Ethernet 1000 BASE-T, full duplex applications.
- Supports 4 pairs of category 5 UTP cable.
- Cable interface for isolation and low common mode emissions.
- Compliant with IEEE 802.3ab standard for 1000 BASE-T.
- Comply with RoHS requirements-whole part No Cd, No Hg, No Cr6+, No PBB and PBDE and No Pb on external pins.
- Operating temperature range: 0 to +70 .
- Storage temperature range: -25 to +125 .

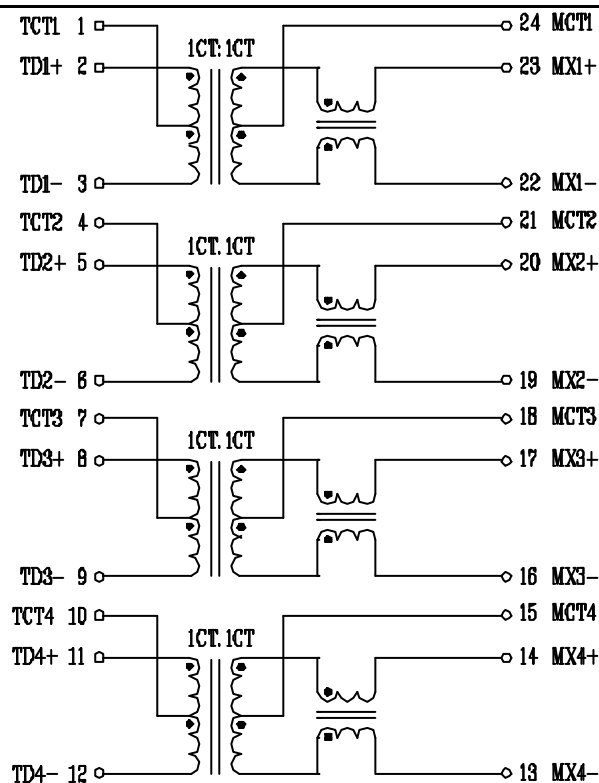
Electrical Specifications @ 25°C

Part Number	Turns Ratio (±5%)		OCL (uH Min) @100KHz/0.1V with 8mA DC Bias	Insertion Loss (dB Max) 1-100MHz	HI-POT (Vrms) 1500
	TX	RX			
GSL5009 LF	1CT:1CT	1CT:1CT	350	-1.0	1500

Continue

Part Number	Return Loss (dB Min)@ Load 100					Cross talk Attenuation (dB Min)			DCMR (dB Min)		
	1-30MHz	40MHz	50MHz	60-80MHz	100MHz	30MHz	60MHz	100MHz	30MHz	60MHz	100MHz
GSL5009 LF	-18	-14.4	-13.1	-12	-10	-45	-40	-35	-43	-37	-33

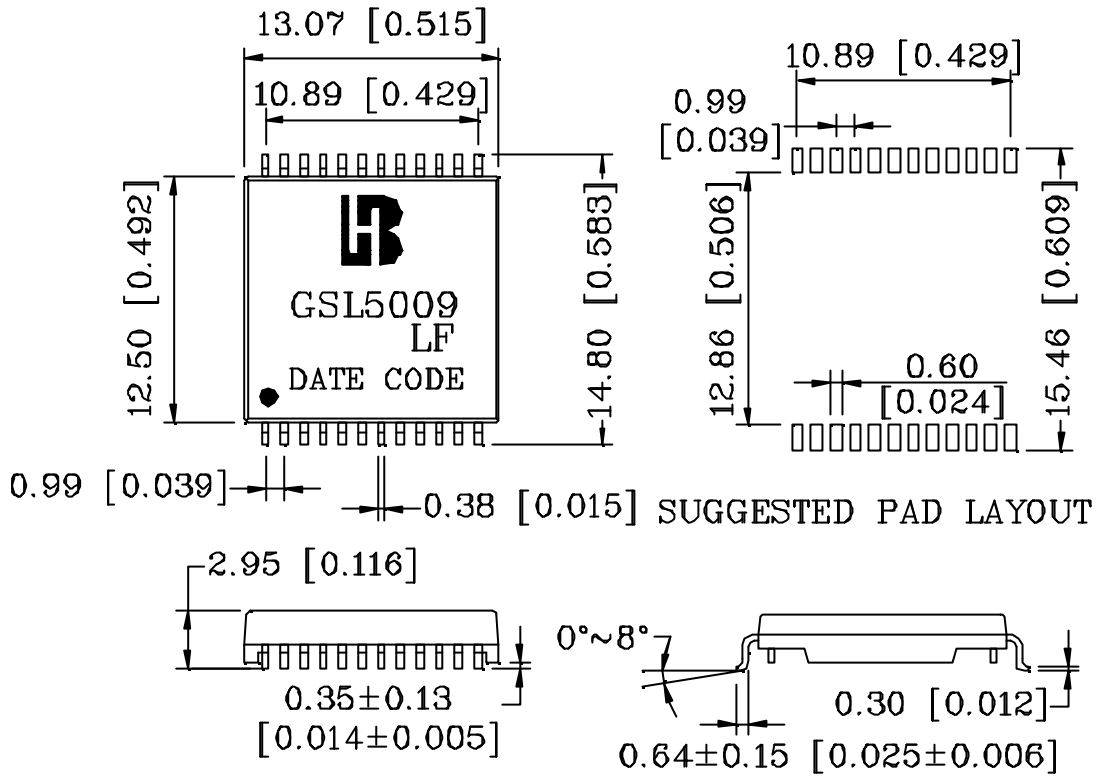
Schematic



1000 BASE -T MAGNETICS MODULES

P/N: GSL5009 LF DATA SHEET

Mechanical



Units: mm[Inches] Tolerances: xx.x0±0.25[0.010]
 0.xx±0.05[0.002]