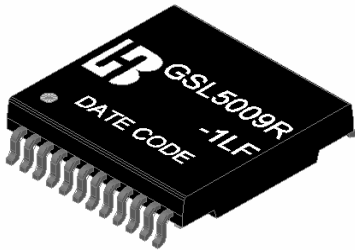


1000 BASE -T MAGNETICS MODULES

P/N: GSL5009R-1 LF DATA SHEET

Feature

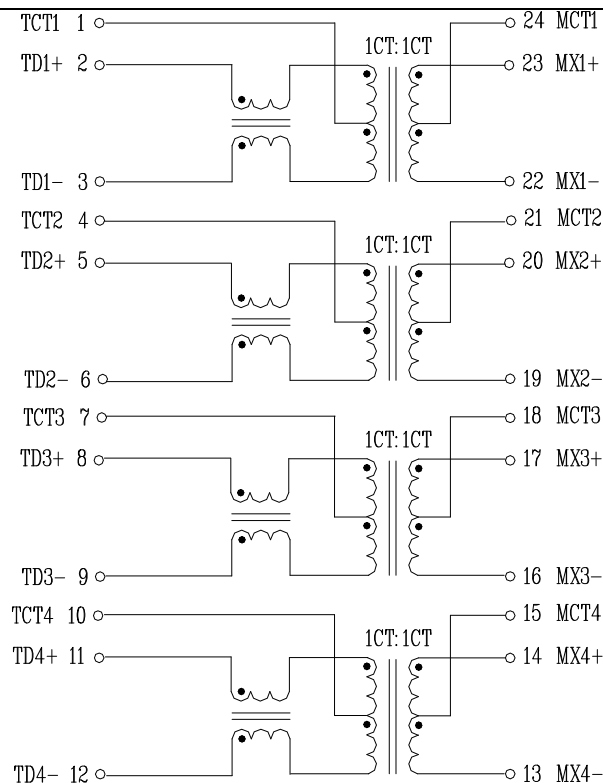


- Designed for Ethernet 100/1000 BASE-T, full duplex applications.
- IEEE 802.3af/ANSI X3.263 compliant performance.
- 350mA current capability.
- Cable interface for isolation and low common mode emissions.
- Comply with RoHS & Halogen Free requirements.
- Operating temperature range: 0°C to +70°C.
- Storage temperature range: -25°C to +125°C.

Electrical Specifications @ 25°C					
Part Number	Turns Ratio (±5%)		OCL (uH Min) @100KHz/0.1V with 8mA DC Bias	Insertion Loss (dB Max) 1-100MHz	HI-POT (Vrms)
	TX	RX			
GSL5009R-1 LF	1CT:1CT	1CT:1CT	350	-1.0	1500

Continue											
Part Number	Return Loss (dB Min) @ Load 100Ω					Cross talk Attenuation (dB Min)			DCMR (dB Min)		
	1-30MHz	40MHz	50MHz	60-80MHz	100MHz	30MHz	60MHz	100MHz	30MHz	60MHz	100MHz
GSL5009R-1 LF	-18	-14.4	-13.1	-12	-10	-45	-40	-35	-43	-37	-33

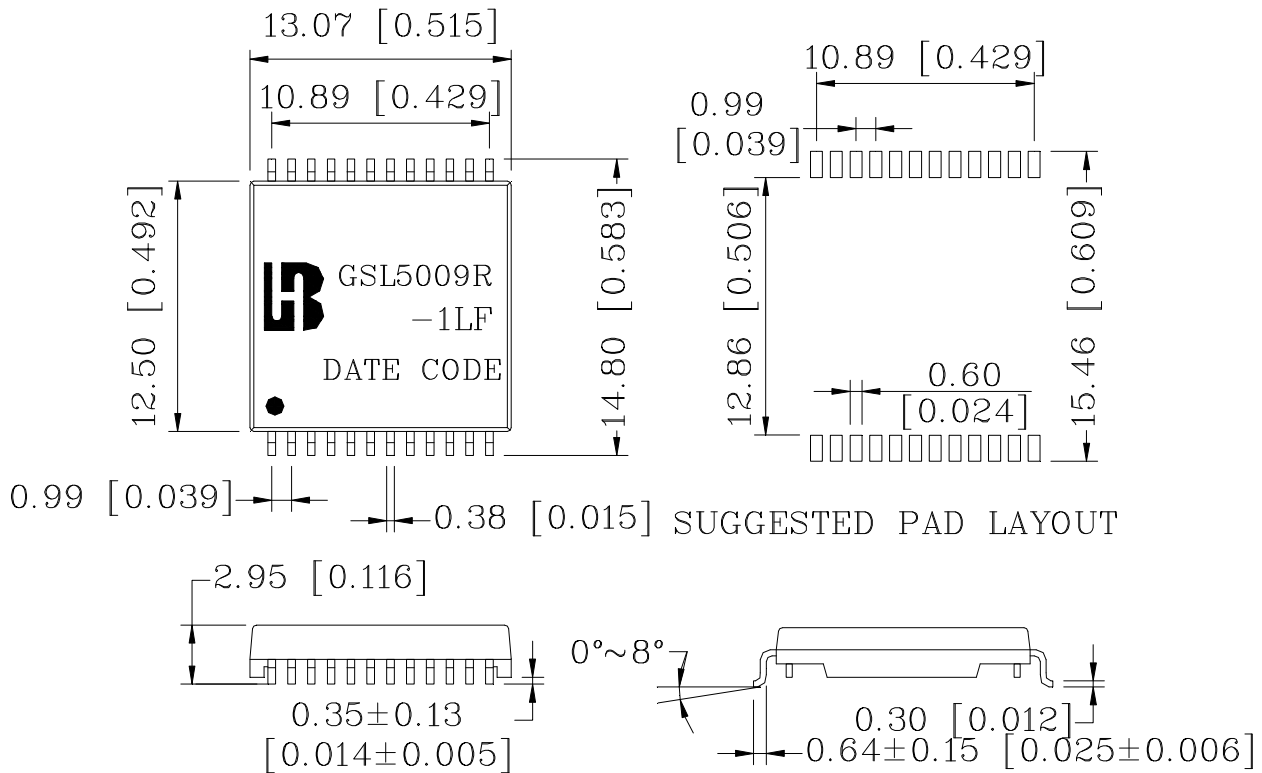
Schematic



1000 BASE -T MAGNETICS MODULES

P/N: GSL5009R-1 LF DATA SHEET

Mechanical



Units: mm[Inches] Tolerances: xx.x0±0.25[0.010]
0.xx±0.05[0.002]