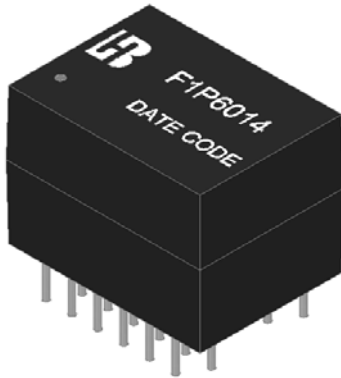


**2.5G/5G BASE – T SINGLE PORT**  
**MAGNETICS MODULES**  
**P/N: F1P6014 DATA SHEET**



**Feature**

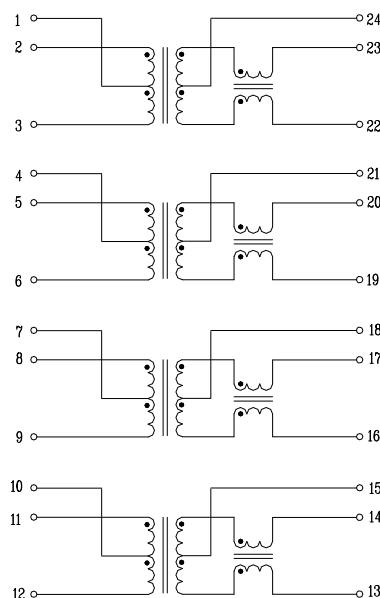


- Design for 5G ethernet application.
- Complying with IEEE 802.3at standard.
- POE applications with 600mA current capability.
- Complying with ROHS requirements.
- Operating temperature range: 0°C to +70°C.
- Storage temperature range: -25°C to +85°C.

Electrical Specifications @ 25°C					
Part Number	Turns Ratio (±3%)		OCL (uH Min) @100KHz/0.1V	Cross talk (dB Min)	HI-POT (Vrms)
	TX	RX		1 ≦ f ≦ 250 MHz	
F1P6014	1CT:1CT	1CT:1CT	180	-(43.1 – 20 log <sub>10</sub> (f/ 100))	1500

Continue						
Part Number	Insertion Loss (dB Max)		Return Loss (dB Min)@Load 100Ω		DCMR (dB Min)	
	1 ≦ f ≦ 100 MHz	100 < f ≦ 250 MHz	1 ≦ f ≦ 40 MHz	40 < f ≦ 250 MHz	1 < f ≦ 30 MHz	30 < f ≦ 250 MHz
F1P6014	-1.0	-2.0	-16	-(16-10 log <sub>10</sub> (f/40))	-48	-(44-19.2 log <sub>10</sub> (f/50))

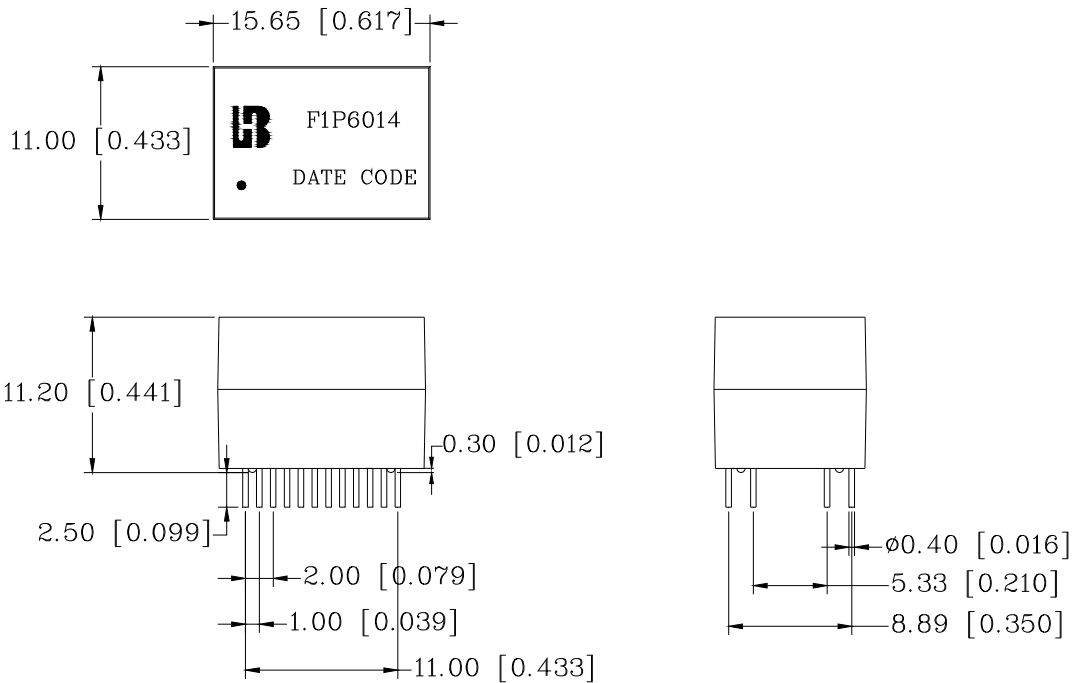
**Schematic**



**2.5G/5G BASE – T SINGLE PORT  
MAGNETICS MODULES  
P/N: F1P6014 DATA SHEET**

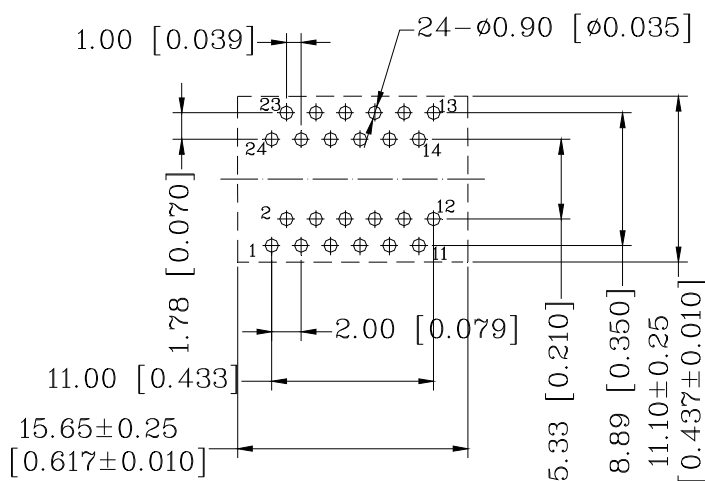


**Mechanical**



Units: mm[Inches] Tolerances XX.X0 : ±0.25[0.010]  
0.XX : ±0.05[0.002]

**PCB Layout mounting Hole ( Top View )**



Unless otherwise specified,  
all dimension tolerance are: ±0.08[±0.003]