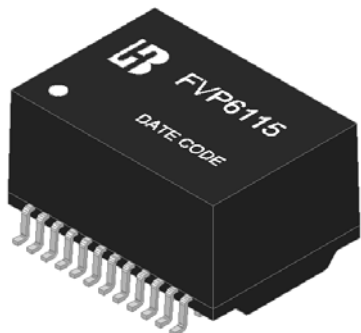


**2.5G/5G BASE – T SINGLE PORT
MAGNETICS MODULES
P/N: FVP6115 DATA SHEET**



Feature



- Design for 5G ethernet application.
- Suitable for End-span POE applications with 1150mA current capability.
- Complying with ROHS requirements.
- Operating temperature range: 0°C to +70°C.
- Storage temperature range: -25°C to +85°C.

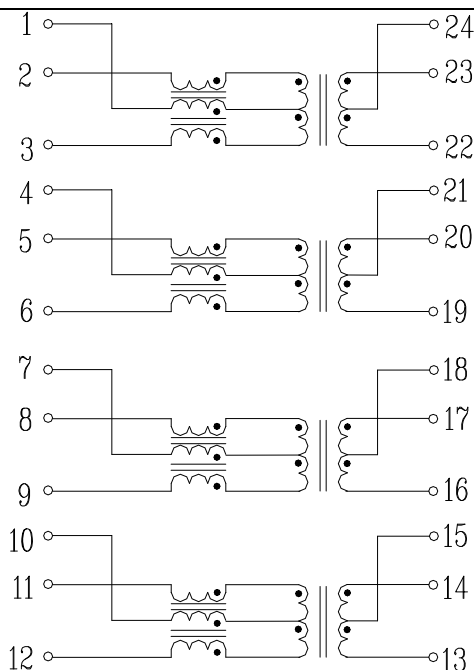
Electrical Specifications @ 25°C

Part Number	Turns Ratio (±3%)		OCL (uH Min) @100KHz/0.1V	Cross talk (dB Min)	HI-POT
	TX	RX		1 ≤ f ≤ 250 MHz	
FVP6115	1CT:1CT	1CT:1CT	180	-(43.1 – 20 log ₁₀ (f / 100))	1500

Continue

Part Number	Insertion Loss (dB Max)		Return Loss (dB Min) @Load 100Ω		DCMR (dB Min)	
	1 ≤ f ≤ 100 MHz	100 < f ≤ 250 MHz	1 ≤ f ≤ 40 MHz	40 < f ≤ 250 MHz	1 < f ≤ 30 MHz	30 < f ≤ 250 MHz
FVP6115	-1.0	-2.0	-16	-(16-10 log ₁₀ (f/40))	-48	-(44-19.2 log ₁₀ (f/50))

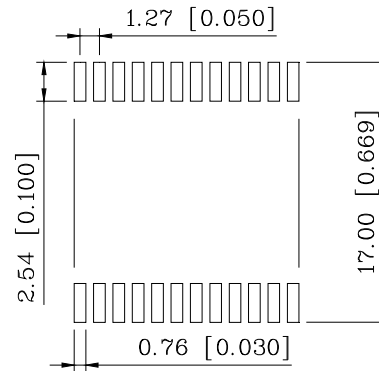
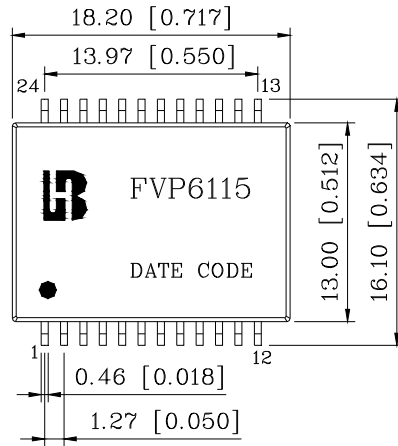
Schematic



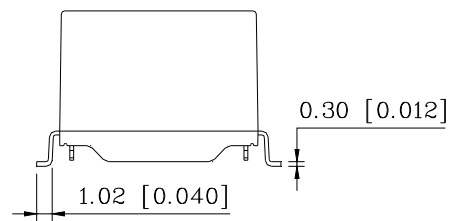
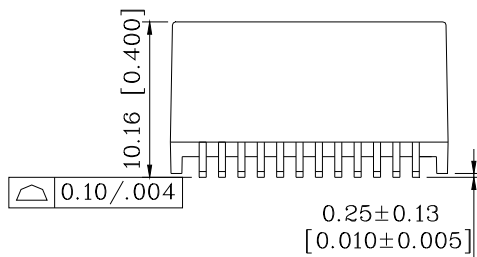
**2.5G/5G BASE - T SINGLE PORT
MAGNETICS MODULES
P/N: FVP6115 DATA SHEET**



Mechanical



SUGGESTED PAD LAYOUT



Units: mm[Inches] Tolerances: xx.x0±0.25[0.010]
0.xx±0.05[0.002]