

- Half port and single port designs for maximum layout flexibility.
- Compatible with Intel, TDK, QSI, and ICS.
- Low profile packages from .094”(2.39mm)to .078”(1.98mm)for PC Card and Card bus applications.
- Operating temperature range: 0 to +70 .
- Storage temperature range: -25 to +85 .



**Electrical Specifications @ 25**

Part Number	Turn ratio (±5%)		OCL(uH Min) @ 100KHz/0.2V	L.L (uH Max)	C <sub>www</sub> (pF Max)	Mech	HI-POT (Vrms)
	TX	RX					
12ST0020P LF	1CT:1CT	1CT:1CT	-	-	-	12ST-A	1500
12ST0022P LF	1CT:1	1CT:1CT	350	-	-	12ST-A	1500
12ST0022PF LF	1CT:1	1CT:1CT	-	-	-	12ST-B	1500
12ST0023P LF	1CT:1	1CT:1CT	-	-	-	12ST-A	1500
12ST0028P LF	1CT:1	1CT:1	350	0.6	28	12ST-A	1500
12ST0029P LF	1CT:1CT	1CT:1CT	350	0.6	28	12ST-A	1500

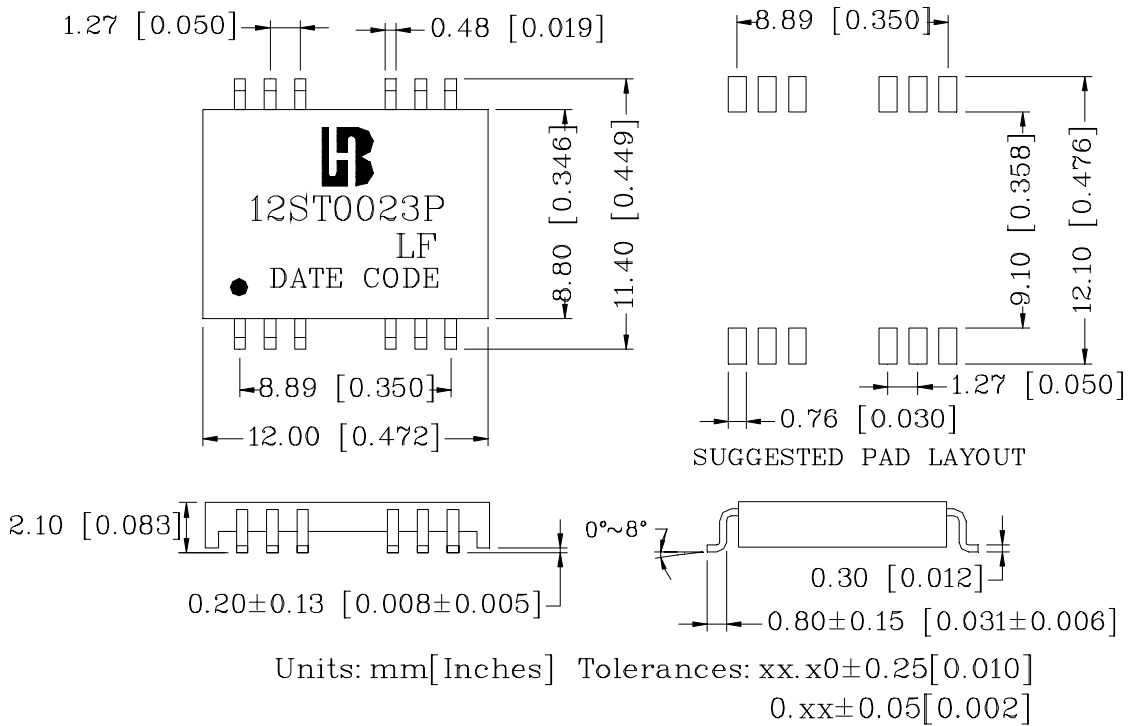
**Continue**

Part Number	Insertion loss (dB Max)	Return loss (dB Min)			Cross talk (dB Min)			DCMR (dB Min)			
		0.3-100 MHz	30MHz	60MHz	80MHz	30 MHz	60MHz	100MHz	30 MHz	50 MHz	100MHz
12ST0020P LF	-1.0	-16	-14	-12	-45	-40	-35	-34	-	-25	-
12ST0022P LF	-2.0	-18	-14	-12	-50	-45	-40	-40	-35	-30	-20
12ST0022PF LF	-2.0	-18	-14	-12	-50	-45	-40	-40	-35	-30	-20
12ST0023P LF	-2.0	-18	-14	-12	-50	-45	-40	-40	-35	-30	-20
12ST0028P LF	-1.4	-14	-12	-10	-45	-40	-35	-40	-32	-30	-
12ST0029P LF	-1.4	-14	-12	-10	-45	-40	-35	-40	-32	-30	-

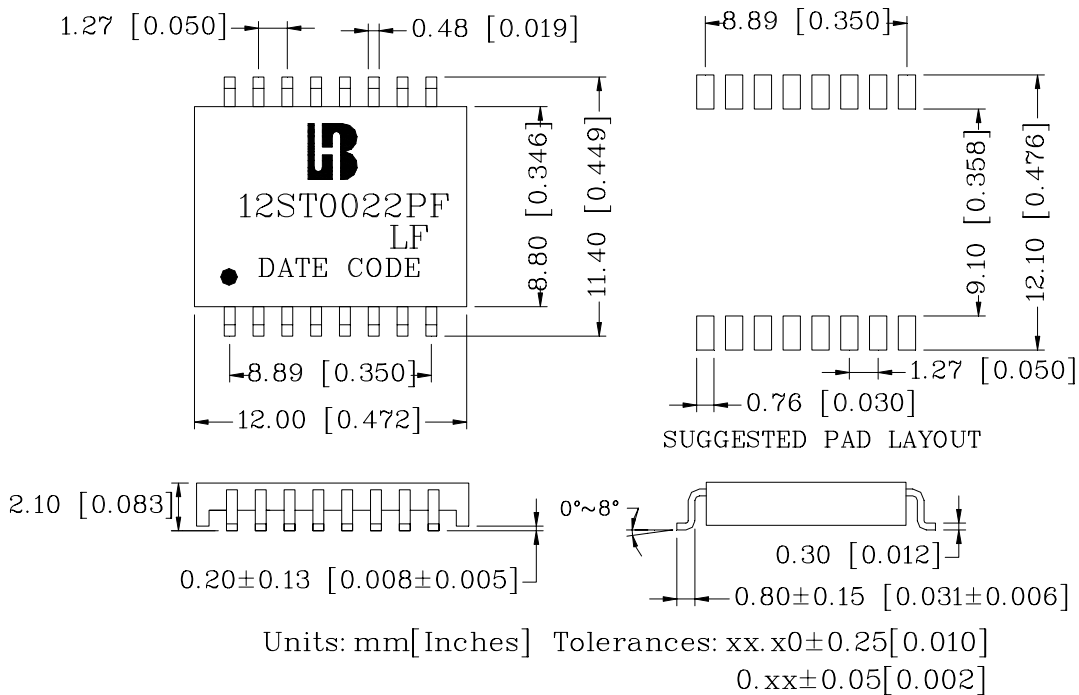
For customized parts or more detailed information, please log on [www.bothhandusa.com](http://www.bothhandusa.com) or write to [sales@bothhandusa.com](mailto:sales@bothhandusa.com)

**Mechanical**

**12ST-A**



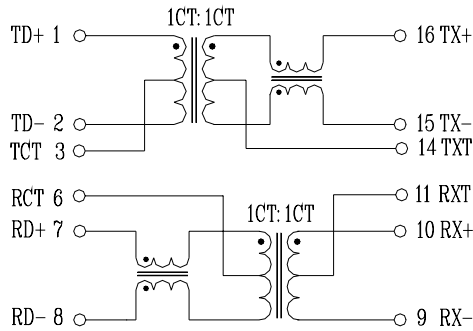
**12ST-B**



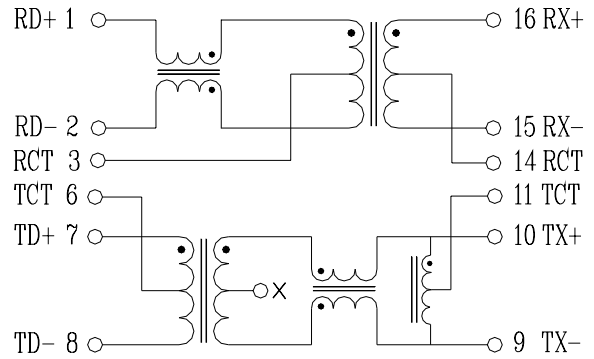
Specification	Packing Manner	Q'ty per Tube/Reel	Q'ty/ Inner box	Q'ty/ Carton
12ST-A/12ST-B	REEL	1200	1200	6000

**Schematics**

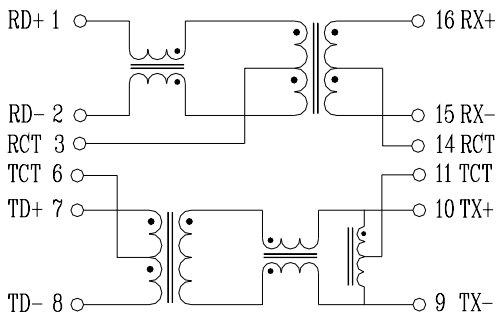
**12ST0020P LF**



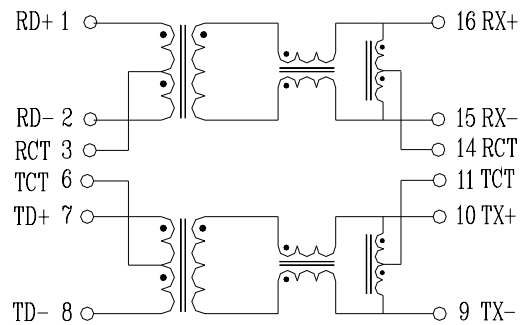
**12ST0022P LF / 12ST0022PF LF**



**12ST0023P LF**



**12ST0028P LF**



**12ST0029P LF**

