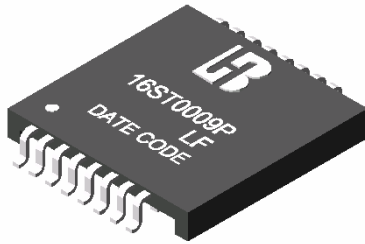


10/100 BASE PCMCIA TRANSFORMER

P/N: 16ST0009P LF DATA SHEET

Feature



- Design for 10/100 MB/s TX & ATM 155 MB/s application.
- Meets ANSI X3.236-1995 TP-PMD, 100 Base-TX, ATM 155Mbps UNI, and IEEE 802.3u and 802.3i specifications
- Very low profile PCMCIA /PC Card, SMD package.
- LComply with RoHS requirements-whole part No Cd, No Hg, No Cr6+, No PBB and PBDE and No Pb on external pins.
- Operating temperature range:0 to +70 .
- Storage temperature range:-25 to +125 .

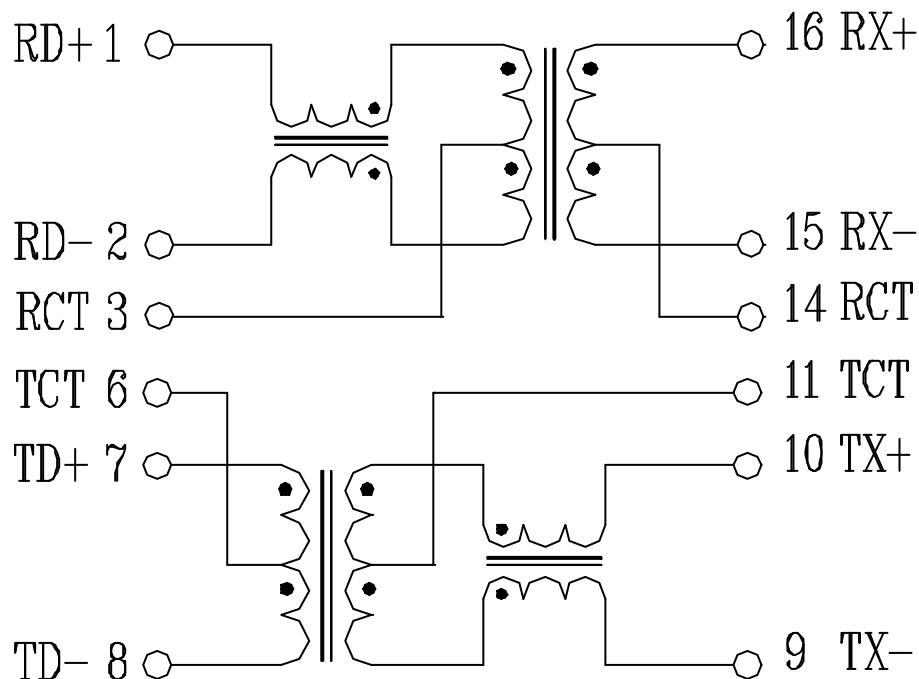
Electrical Specifications @ 25°C

Part Number	Turns Ratio (±5%)		OCL (uH Min) @ 100KHz/0.1V with 8mA DC Bias	Insertion Loss (dB Max) 0.3-100MHz	HI-POT (Vrms)
	TX	RX			
16ST0009P LF	1CT: 1CT	1CT: 1CT	350	-1.3	1500

Continue

Part Number	Return Loss (dB Min)			Cross talk (dB Min)			DCMR (dB Min)			
	30MHz	60MHz	80MHz	30MHz	62MHz	100MHz	30MHz	50MHz	100MHz	150MHz
16ST0009P LF	-16	-12	-11	-40	-40	-35	-35	-33	-20	-20

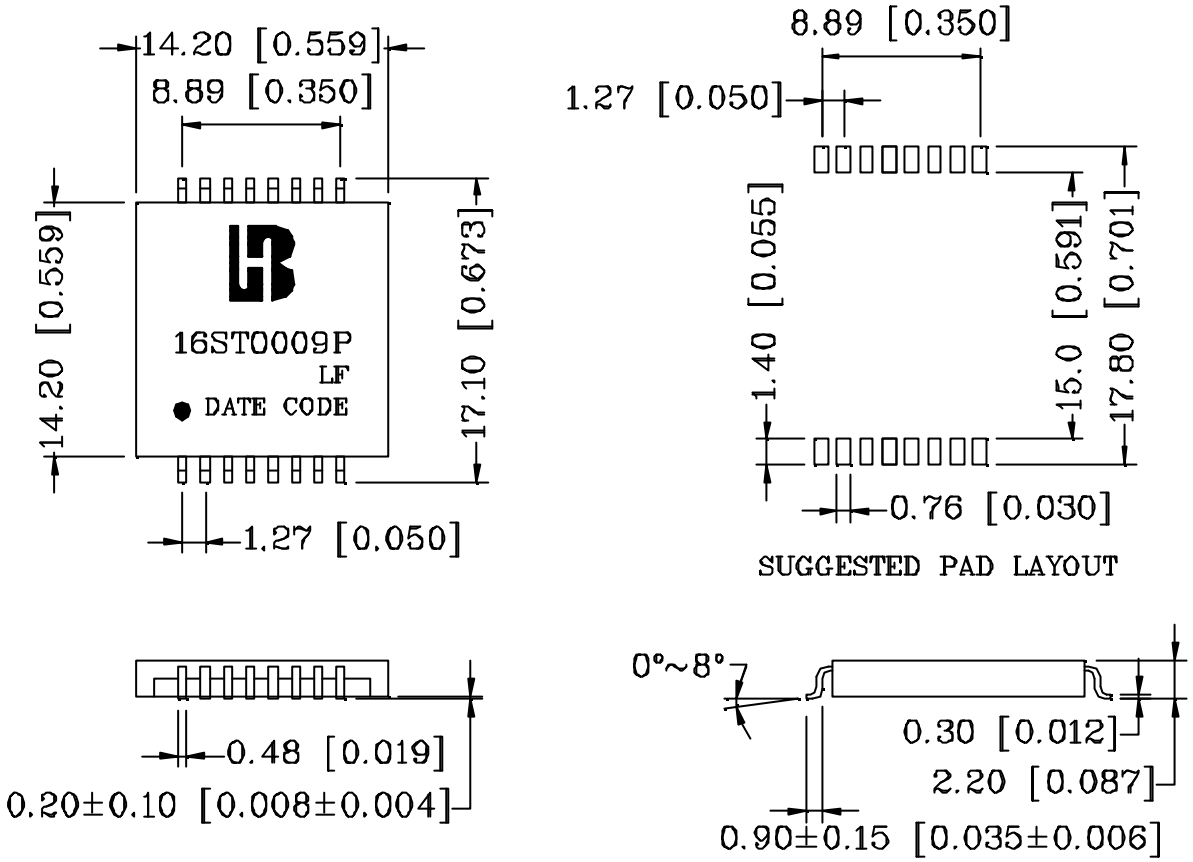
Schematic



10/100 BASE PCMCIA TRANSFORMER

P/N: 16ST0009P LF DATA SHEET

Mechanical



Units: mm[Inches] Tolerances: xx.x0±0.25[0.010]
 0.xx±0.05[0.002]