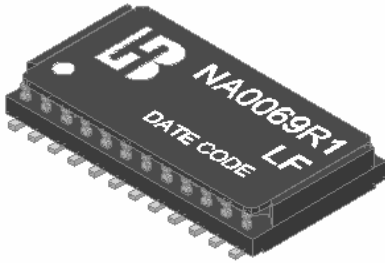


Feature

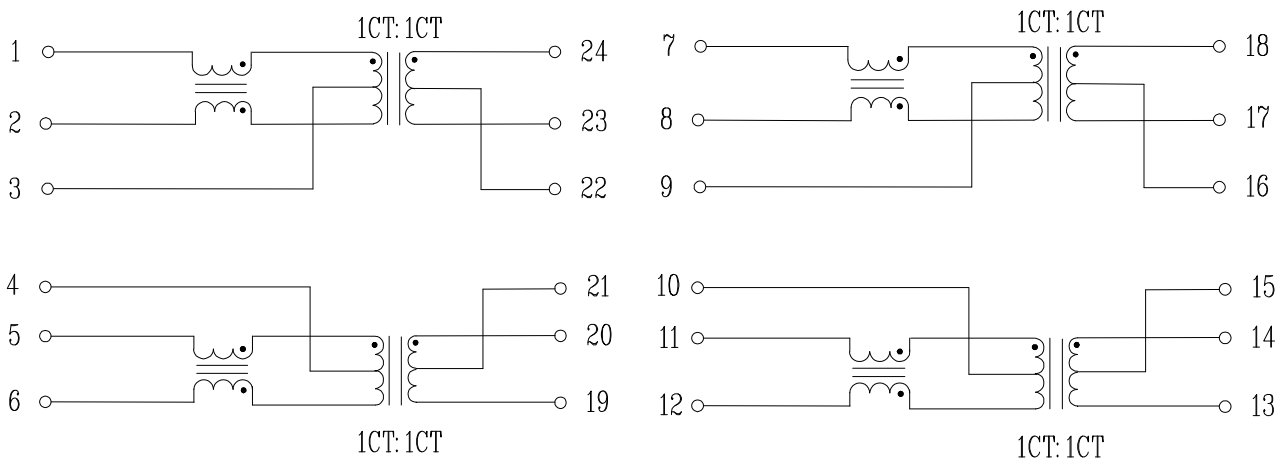


- Half port and single port designs for maximum layout flexibility.
- Complying with IEEE 802.3ab standard for 1000 BASE-T.
- Complying with ROHS & Halogen Free requirements.
- Operating temperature range: 0°C to +70°C.
- Storage temperature range: -25°C to +85°C.

Electrical Specifications @ 25°C						
Part Number	Turns Ratio (±3%)		OCL (uH Min) @100KHz/0.1V	Cw/w (pF Max)	L.L (uH Max)	HI-POT (Vrms)
	TX	RX				
NA0069R1 LF	1CT:1CT	1CT:1CT	350	25	0.4	1500

Continue								
Part Number	Insertion Loss (dB Max)	Return Loss (dB Min)				Cross talk (dB Min)	DCMR (dB Min)	
		1-100MHz	1-30MHz	40-50MHz	60-80MHz		100MHz	1-60MHz
NA0069R1 LF	-1.0	-18	-16	-12	-10	-38	-35	-33

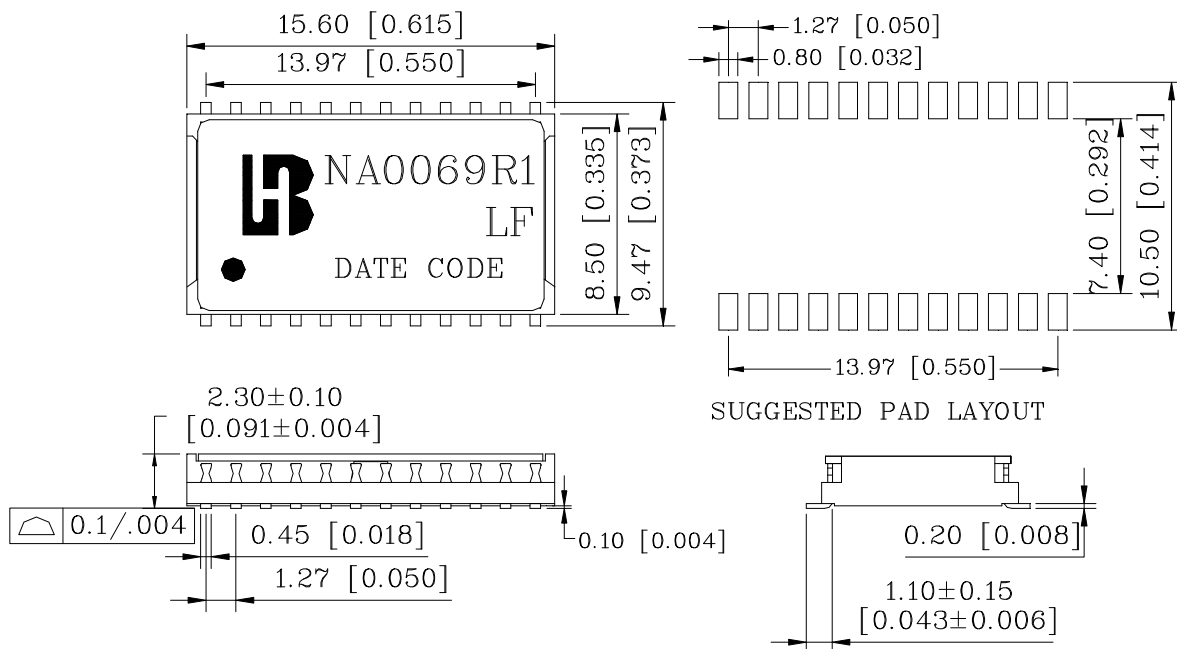
Schematic



**1000 BASE-T PC CARD LAN
MAGNETICS SOLUTIONS
P/N: NA0069R1 LF DATA SHEET**



Mechanical



Units: mm[Inches] Tolerances XX.X0: ±0.25[0.010]
0.XX: ±0.05[0.002]