

- Half port and single port designs for maximum layout flexibility.
- Low profile packages from 0.094 Inch(2.39mm) to 0.078 Inch(1.98mm) for PC card and card bus applications .
- Operating temperature range: 0 to +70 .
- Storage temperature range: -25 to +85 .



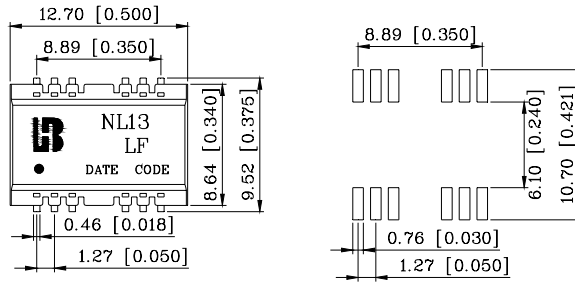
<b>Electrical Specifications @ 25</b>								
Part Number	Turns Ratio (±3%)		Insertion loss (dB Max)	Return loss (dB Min)				Cross talk (dB Min)
	TX	RX		0.3-100 MHz	0.3-30MHz	40MHz	50MHz	
NL13 LF	1CT:1CT	1CT:1CT	-1.1	-18	-15.5	-13.5	-10	-38
NL13-1 LF	1CT:1CT	1CT:1CT	-1.1	-18	-15.5	-13.5	-10	-38
NL14 LF	1CT:1CT	1CT:1CT	-1.1	-18	-15.5	-13.5	-10	-38
NL15 LF	1CT:1CT	1CT:1CT	-1.1	-18	-15.5	-13.5	-10	-38

<b>Continue</b>									
Part Number	OCL (uH Min) @100KHz/0.1V	HI-POT (Vrms)	Cw/w (pF Max)	L.L (uH Max)	DCR (Ω Max)	Mech	CMR(dB Min)	DCMR (dB Min)	
							0.3-100MHz	0.3-60MHz	60-100MHz
NL13 LF	350	1500	15	0.4	0.9	NL-A	--	-33	-26
NL13-1 LF	350	1500	15	0.4	0.9	NL-A	--	-33	-26
NL14 LF	350	1500	15	0.4	0.9	NL-A	-30	--	--
NL15 LF	350	1500	15	0.4	0.9	NL-A	-30	--	--

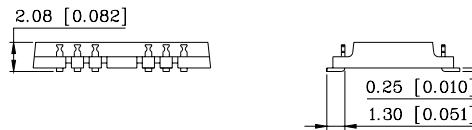
For customized parts or more detailed information, please log on [www.bothhandusa.com](http://www.bothhandusa.com) or write to [sales@bothhandusa.com](mailto:sales@bothhandusa.com)

**Mechanicals**

**NL-A**



SUGGESTED PAD LAYOUT

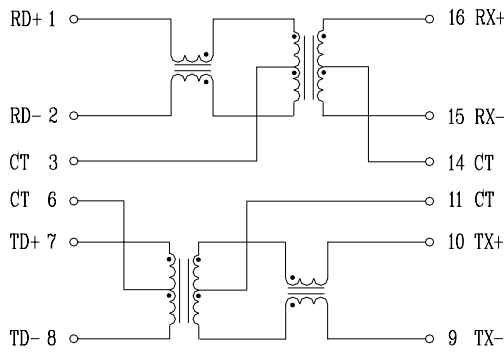


Units: mm[Inches] Tolerances: xx.x0±0.25[0.010]  
0.xx±0.05[0.002]

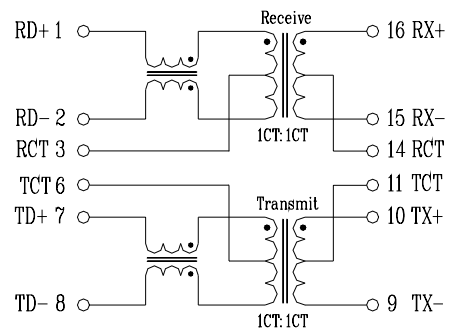
Specification	Packing Manner	Q'ty per Tube/Reel	Q'ty/ Inner box	Q'ty/ Carton
NL-A	REEL	1500	1500	15000

**Schematics**

**NL13 LF/ NL13-1 LF**



**NL14 LF**



**NL15 LF**

