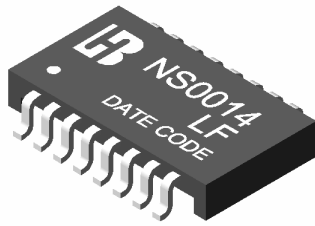


10/100 BASE PCMCIA TRANSFORMER

P/N: NS0014 LF DATA SHEET

Feature



- 16-PIN Small Footprint PCMCIA package.
- 10/100 BASE-TX Isolation module.
- Comply with RoHS requirements-whole part No Cd, No Hg, No Cr6+, No PBB and PBDE and No Pb on external pins.
- Operating temperature range: 0 to +70 .
- Storage temperature range: -25 to +125 .

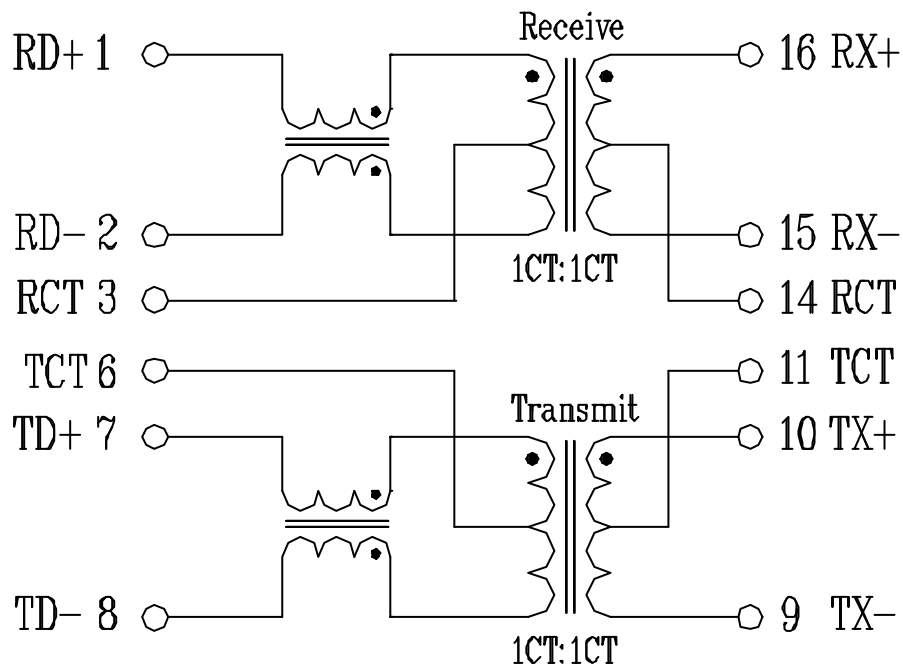
Electrical Specifications @ 25°C

Part Number	Turns Ratio (±3%)		OCL (uH Min) @ 100KHz/0.2V (16-15)&(10-9)	C _{www} (pF Max)	L.L (uH Max)	DCR (O Max) (16-15)&(10-9)
	(16-15):(1-2)	(10-9):(7-8)				
NS0014 LF	1CT:1CT	1CT:1CT	350	15	0.4	0.9

Continue

Part Number	Insertion Loss (dB Max)	Return Loss (dB Min)				Cross talk (dB Min)	CMR (dB Min)	HI-POT (Vrms)
		0.3-100 MHz	0.3-30MHz	40MHz	50MHz			
NS0014 LF	-1.1	-18	-15.5	-13.5	-10	-38	-30	1500

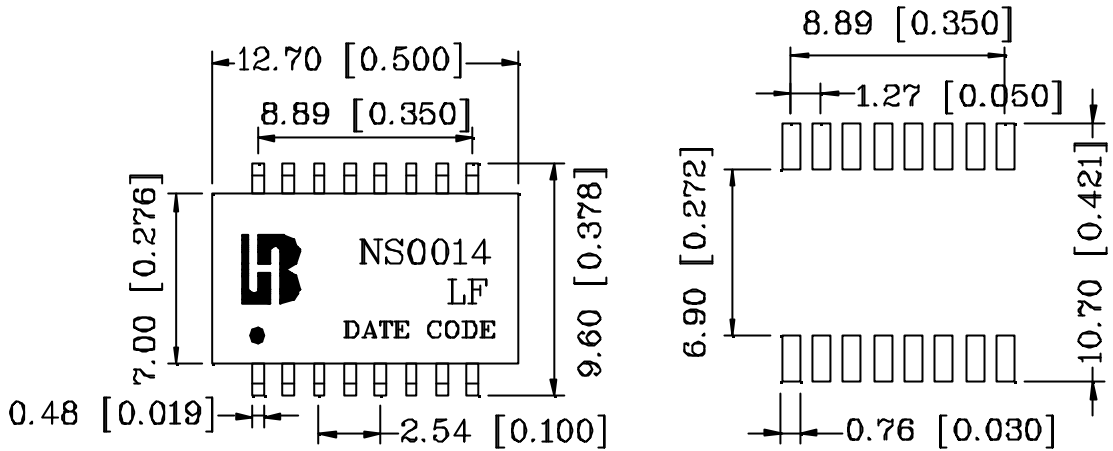
Schematic



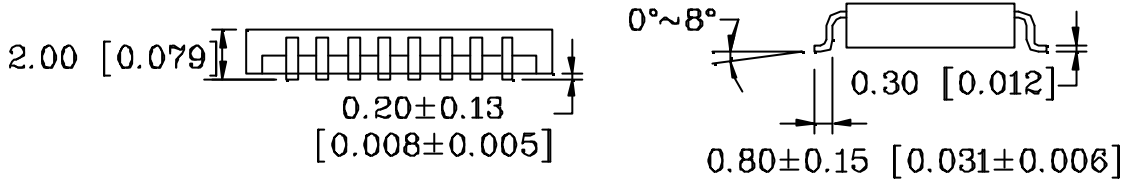
10/100 BASE PCMCIA TRANSFORMER

P/N: NS0014 LF DATA SHEET

Mechanical



SUGGESTED PAD LAYOUT



Units: mm[Inches] Tolerances: xx.x0±0.25[0.010]
 0.xx±0.05[0.002]