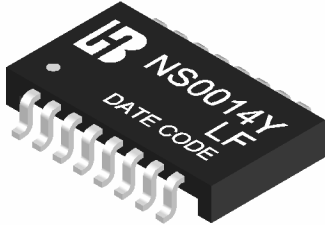


**10/100 BASE PCMCIA TRANSFORMER**  
**P/N: NS0014Y LF DATA SHEET**



**Feature**

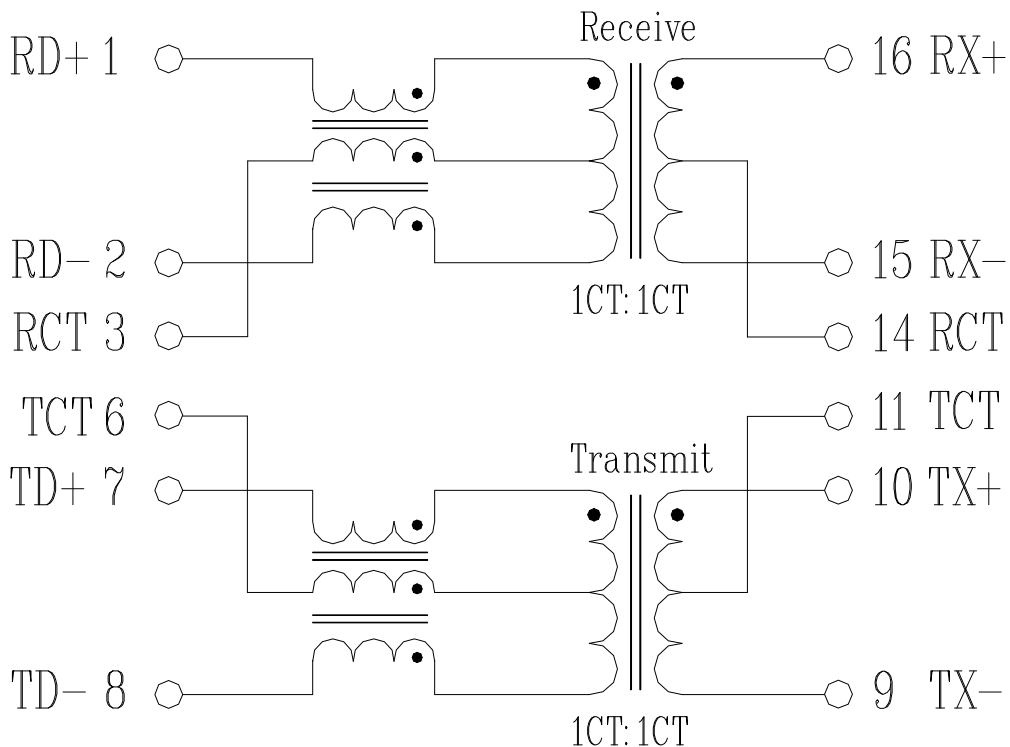


- 16-PIN Small Footprint PCMCIA package.
- 10/100 BASE-TX Isolation module.
- Complying with ROHS & Halogen Free requirements.
- Operating temperature range: 0°C to +70°C.
- Storage temperature range: -25°C to +85°C.

| Electrical Specifications @ 25°C |                   |              |   |                              |                 |                                  |
|----------------------------------|-------------------|--------------|---|------------------------------|-----------------|----------------------------------|
| Part Number                      | Turns Ratio (±3%) |              | OCL (uH Min)<br>@ 100KHz/0.2V<br>(16-15)&(10-9) | C <sub>www</sub><br>(pF Max) | L.L<br>(uH Max) | DCR<br>(Ω Max)<br>(16-15)&(10-9) |
|                                  | (16-15):(1-2)     | (10-9):(7-8) |   |                              |                 |                                  |
| NS0014Y LF                       | 1CT:1CT           | 1CT:1CT      | 350   | 15                           | 0.4             | 0.9                              |

| Continue    |                            |                         |           |       |       |                        |                 |                  |
|-------------|----------------------------|-------------------------|-----------|-------|-------|------------------------|-----------------|------------------|
| Part Number | Insertion Loss<br>(dB Max) | Return Loss<br>(dB Min) |           |       |       | Cross talk<br>(dB Min) | CMR<br>(dB Min) | HI-POT<br>(Vrms) |
|             |                            | 0.3-100 MHz             | 0.3-30MHz | 40MHz | 50MHz |                        |                 |                  |
| NS0014Y LF  | -1.1                       | -18                     | -15.5     | -13.5 | -10   | -38                    | -30             | 1500             |

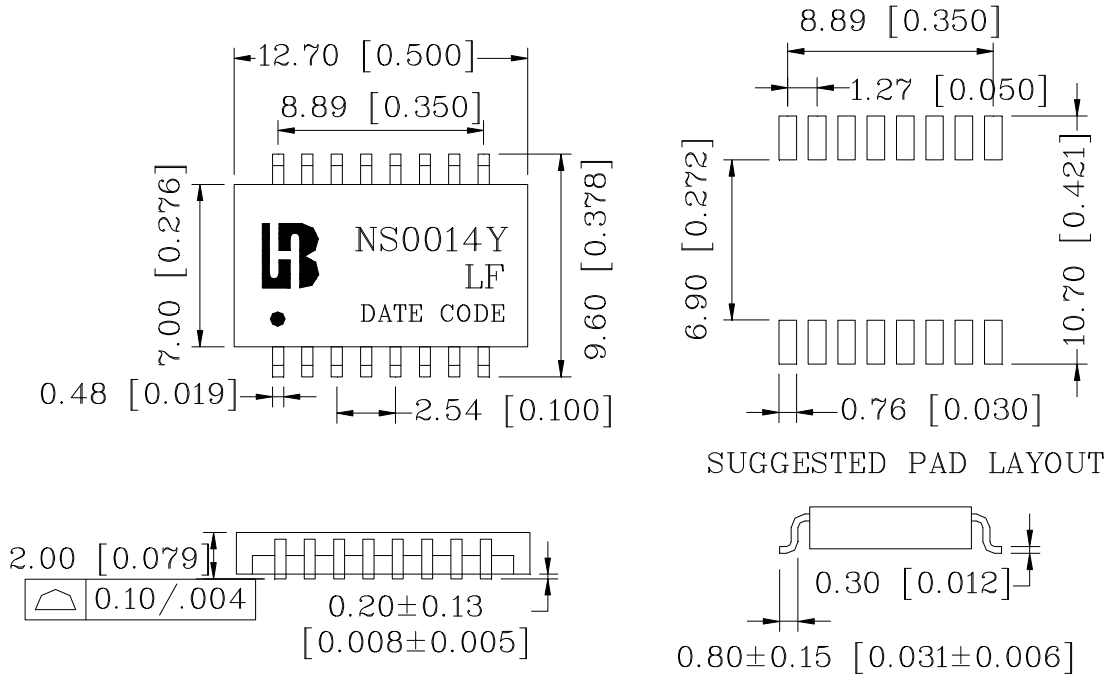
**Schematic**



**10/100 BASE PCMCIA TRANSFORMER**  
**P/N: NS0014Y LF DATA SHEET**



**Mechanical**



Units: mm[Inches] Tolerances: xx.x0±0.25[0.010]  
 0.xx±0.05[0.002]