

# 10/100 BASE PCMCIA TRANSFORMER

## P/N: NS0015 LF DATA SHEET

### Feature



- 16-PIN Small Footprint PCMCIA package.
- 10/100 BASE-TX Isolation module.
- Comply with ROHS & Halogen Free requirements.
- Operating temperature range: 0 to +70 .
- Storage temperature range: -25 to +85 .

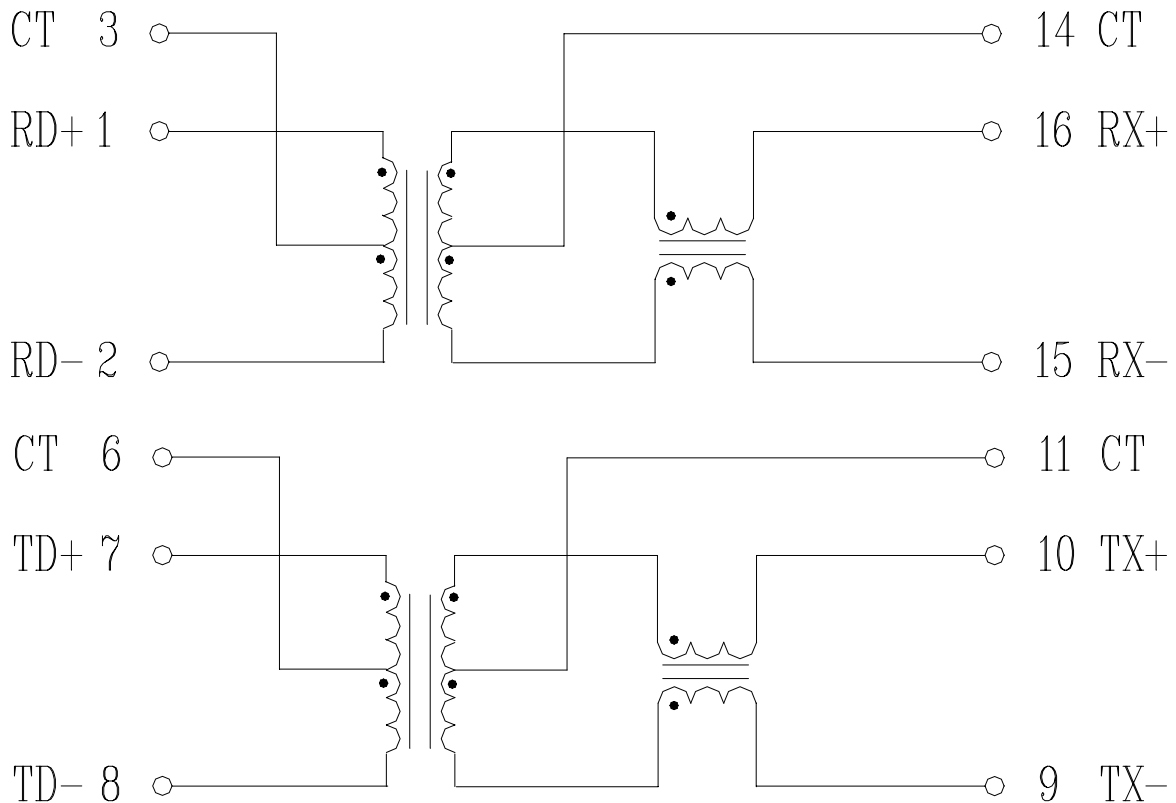
### Electrical Specifications @ 25°C

Part Number	Turns Ratio (±3%)		OCL (uH Min) @ 100KHz/0.2V	C <sub>www</sub> (pF Max)	L.L (uH Max)	DCR (Ω Max) (16-15)&(10-9)
	RX	TX				
NS0015 LF	1CT:1CT	1CT:1CT	350	15	0.4	0.9

### Continue

Part Number	Insertion Loss (dB Max)	Return Loss (dB Min)				Cross talk (dB Min)	CMR (dB Min)	HI-POT (Vrms)
		0.3-100 MHz	0.3-30MHz	40MHz	50MHz			
NS0015 LF	-1.1	-18	-15.5	-13.5	-10	-38	-30	1500

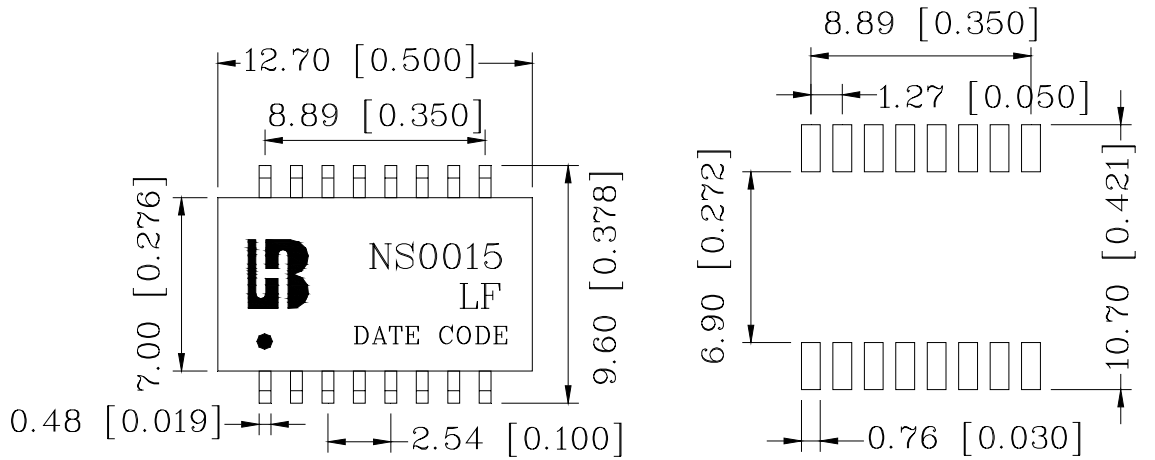
### Schematic



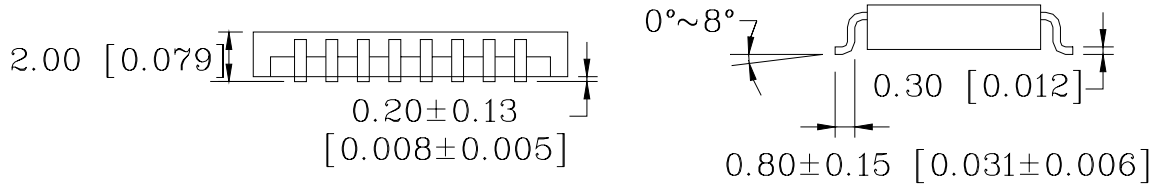
# 10/100 BASE PCMCIA TRANSFORMER

## P/N: NS0015 LF DATA SHEET

### Mechanical



SUGGESTED PAD LAYOUT



Units: mm[Inches] Tolerances: xx.x0±0.25[0.010]  
0.xx±0.05[0.002]