

10/100 PC CARD LAN MAGNETICS SOLUTIONS

P/N: NS14BZ LF DATA SHEET

Feature

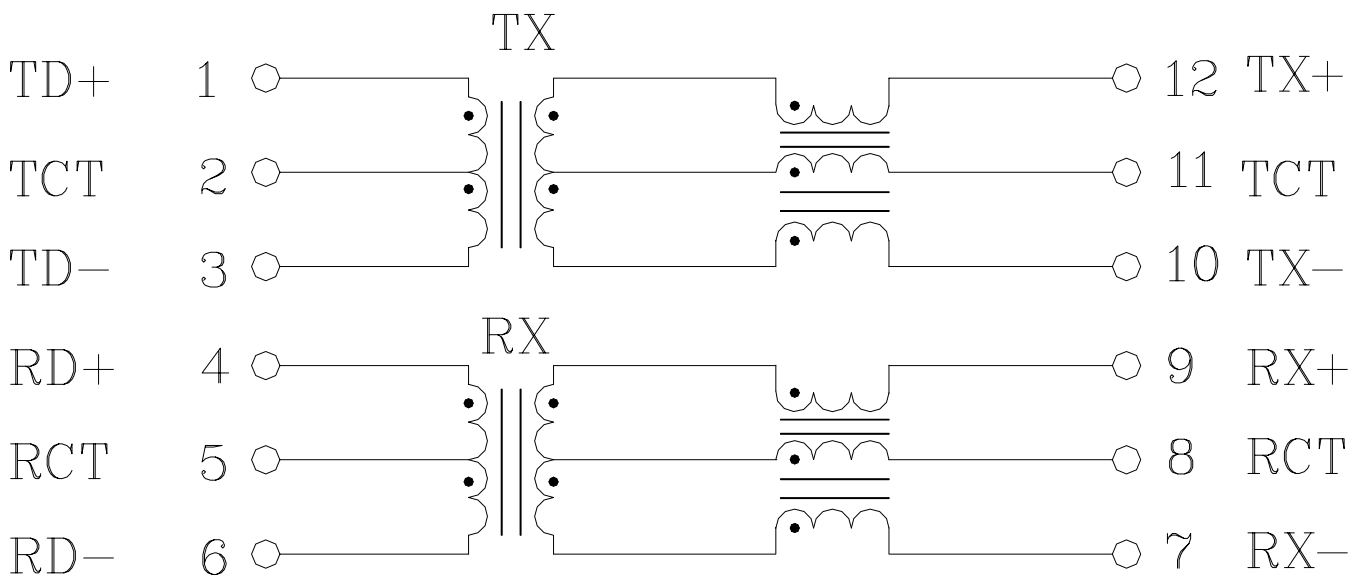


- Half port and single port designs for maximum layout flexibility.
- Low profile packages from 0.094 Inch(2.39mm) to 0.078 Inch(1.98mm) for PC card and card bus applications .
- Comply with ROHS & Halogen Free requirements.
- Operating temperature range: 0 to +70 .
- Storage temperature range: -25 to +125 .

Electrical Specifications @ 25°C							
Part Number	Turns Ratio (±3%)		OCL (uH Min) @ 100KHz/0.1V Pin(1-3/4-6)	C _{ww} (pF Max)	L.L (uH Max)	DCR (Max)	HI-POT (Vrms)
	RX	TX				Pin(1-3/4-6)	
NS14BZ LF	1CT:1CT	1CT:1CT	350	28	0.4	0.9	1500

Continue								
Part Number	Insertion Loss (dB Max)	Return Loss (dB Min)				Cross talk (dB Min)	DCMR (dB Min)	
		0.3-30MHz	40MHz	50MHz	60-80MHz		0.3-60MHz	60-100MHz
NS14BZ LF	-1.1	-18	-15.5	-13.5	-10	-38	-33	-26

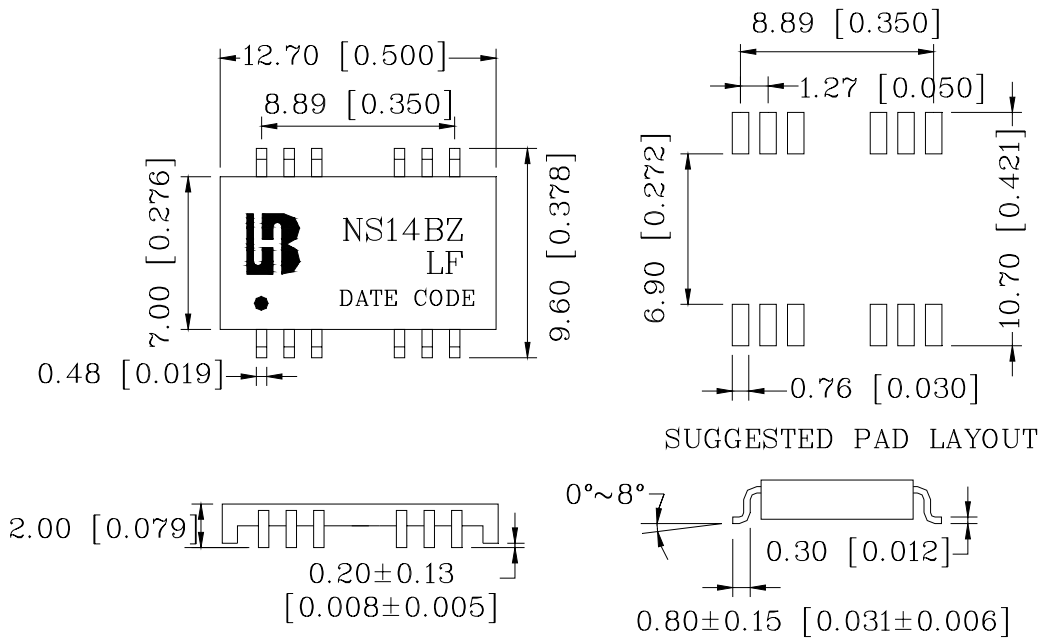
Schematic



10/100 PC CARD LAN MAGNETICS SOLUTIONS

P/N: NS14BZ LF DATA SHEET

Mechanical



Units: mm[Inches] Tolerances: xx.x0±0.25[0.010]

0.xx±0.05[0.002]