

10/100 BASE PCMCIA TRANSFORMER

P/N: NS14Y LF DATA SHEET

Feature



- 12-PIN Small Footprint PCMCIA package.
- 10/100 BASE-TX Isolation module.
- Comply with ROHS & Halogen Free requirements.
- Operating temperature range: 0 to +70 .
- Storage temperature range: -25 to +85 .

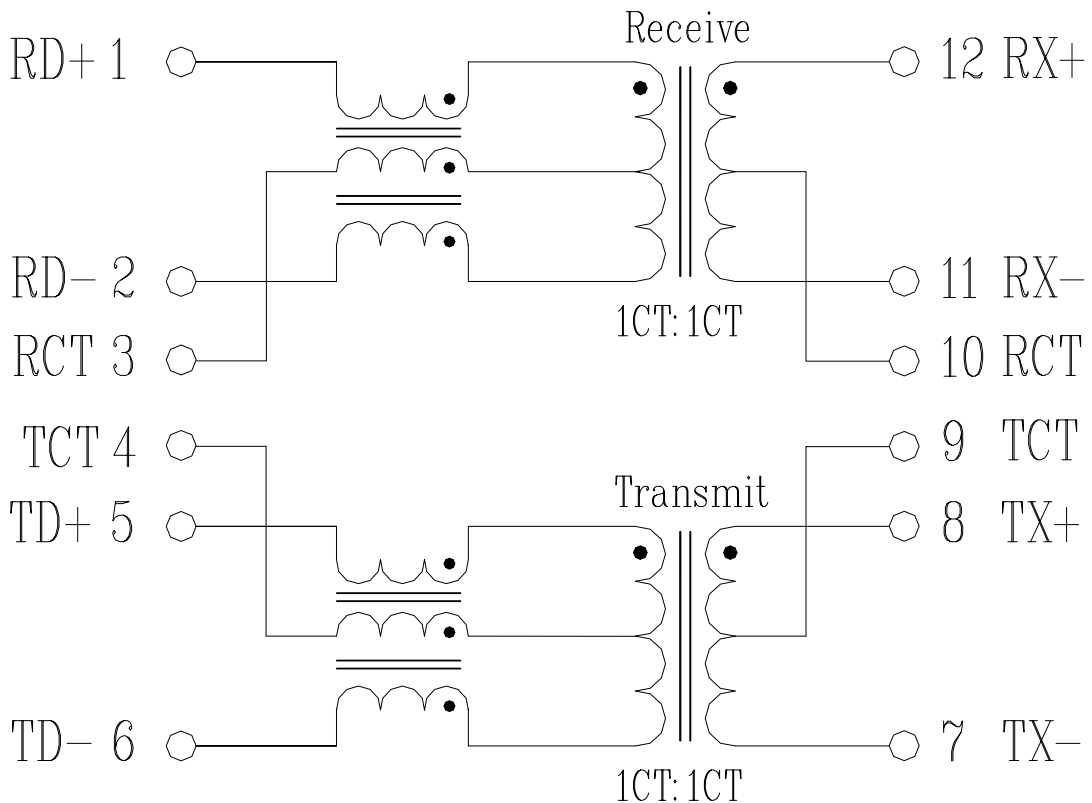
Electrical Specifications @ 25°C

Part Number	Turns Ratio (±3%)		OCL (uH Min) @ 100KHz/0.2V	C _{www} (pF Max)	L.L. (uH Max)	DCR (Ω Max)
	(12-11):(1-2)	(8-7):(5-6)	(12-11)&(8-7)			(12-11)&(8-7)
NS14Y LF	1CT:1CT	1CT:1CT	350	20	0.4	0.9

Continue

Part Number	Insertion Loss (dB Max)	Return Loss (dB Min)				Cross talk (dB Min)	CMR (dB Min)	HI-POT (Vrms)
	0.3-100 MHz	0.3-30MHz	40MHz	50MHz	60-80MHz	0.3-100MHz	0.3-100MHz	
NS14Y LF	-1.1	-18	-15.5	-13.5	-10	-38	-30	1500

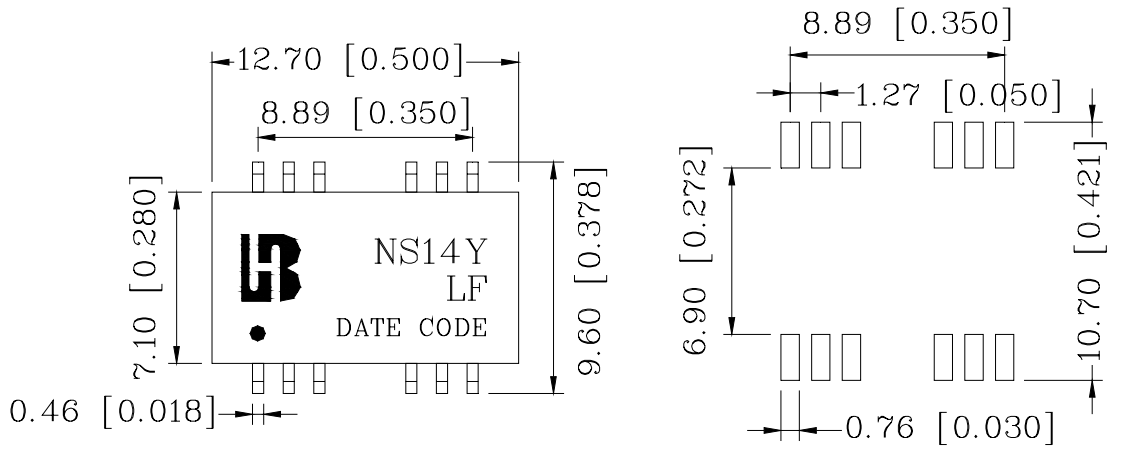
Schematic



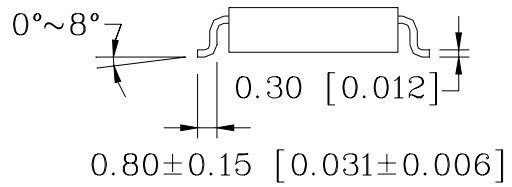
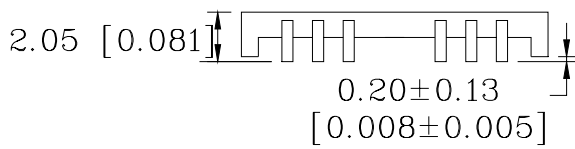
10/100 BASE PCMCIA TRANSFORMER

P/N: NS14Y LF DATA SHEET

Mechanical



SUGGESTED PAD LAYOUT



Units: mm[Inches] Tolerances: xx.x0±0.25[0.010]

0.xx±0.05[0.002]