

10/100 BASE PCMCIA TRANSFORMER

- 12-PIN Small Footprint PCMCIA package.
- 10/100 BASE-TX Isolation module.
- Operating temperature range: 0 to +70 .
- Storage temperature range: -25 to +85 .



Electrical Specifications @ 25

Part Number	Turn ratio (±3%)		Insertion loss (dB Max)	Return loss (dB Min)				Cross talk (dB Min)
	(12-11):(1-2)	(8-7):(5-6)		0.3-100 MHz	0.3-30MHz	40MHz	50MHz	
NS14 LF	1CT:1CT	1CT:1CT	-1.1	-18	-15.5	-13.5	-10	-38
NS14-1 LF	1CT:1CT	1CT:1CT	-1.1	-18	-15.5	-13.5	-10	-38
NS14Z LF	1CT:1CT	1CT:1CT	-1.1	-18	-15.5	-13.5	-10	-38
NS14R LF	(1-2):(12-11)	(5-6):(8-7)	-1.1	-18	-15.5	-13.5	-10	-38
	1CT:1CT	1CT:1CT						
NS15 LF	1CT:1CT	1CT:1CT	-1.1	-18	-15.5	-13.5	-10	-38

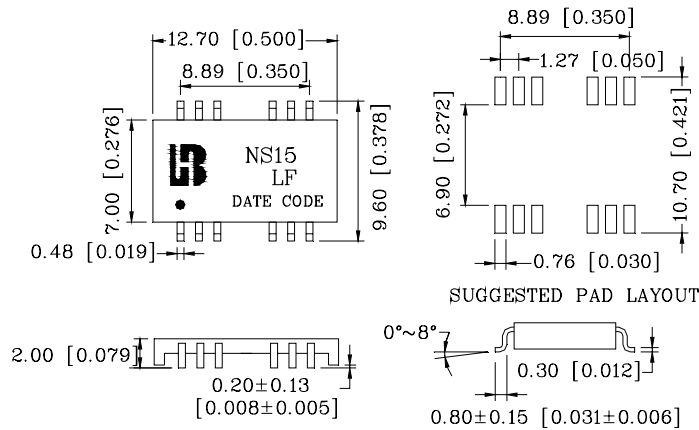
Continue

Part Number	OCL (uH Min) @ 100KHz/0.2V (12-11)&(8-7)	HI-POT (Vrms)	Cw/w (pF Max)	L.L (uH Max)	DCR (Ω Max)	Mech	CMR(dB Min)
					(12-11)&(8-7)		0.3-100MHz
NS14 LF	350	1500	15	0.4	0.9	NSX-A	-30
NS14-1 LF	350	1500	15	0.4	0.9	NSX-A	-30
NS14Z LF	350	1500	20	0.4	0.9	NSX-A	-30
NS14R LF	350	1500	15	0.4	(1-2)&(5-6)	NSX-A	-30
					0.9		
NS15 LF	350	1500	15	0.4	0.9	NSX-A	-30

For customized parts or more detailed information, please log on www.bothhandusa.com or write to sales@bothhandusa.com

Mechanicals

NSX-A

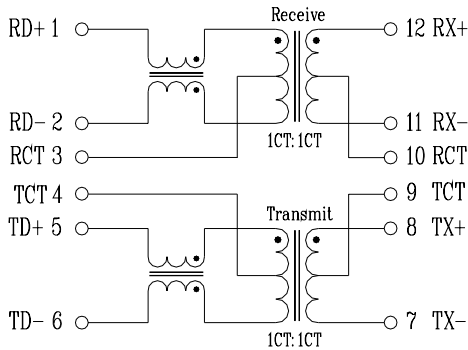


Units: mm[Inches] Tolerances: xx.x0±0.25[0.010]
0.xx±0.05[0.002]

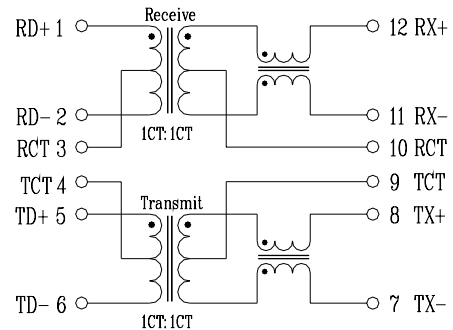
Specification	Packing Manner	Q'ty per Tube/Reel	Q'ty/ Inner box	Q'ty/ Carton
NSX-A	REEL	1500	1500	15000

Schematics

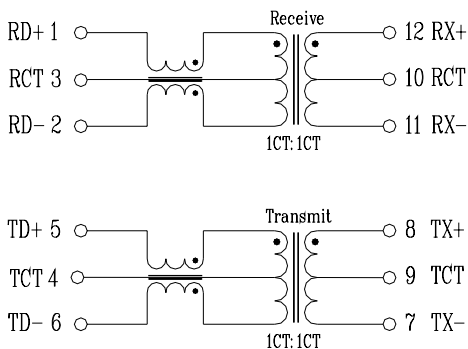
NS14 LF/ NS14-1 LF



NS14R LF



NS14Z LF



NS15 LF

