

1000 BASE -T MAGNETICS MODULES

P/N: 24HJT1041A DATA SHEET

Feature



- Designed for long haul gigabit Ethernet 1000 BASE-T, full duplex applications.
- Supports 4 pairs of category 5 UTP cable.
- Cable interface for isolation and low common mode emissions.
- Compliant with IEEE 802.3ab standard for 1000 BASE-T.
- Insulation Resistance: 10,000 M•
- Operating temperature range : 0°C to +70°C.
- Storage temperature range: -25°C to +125°C.

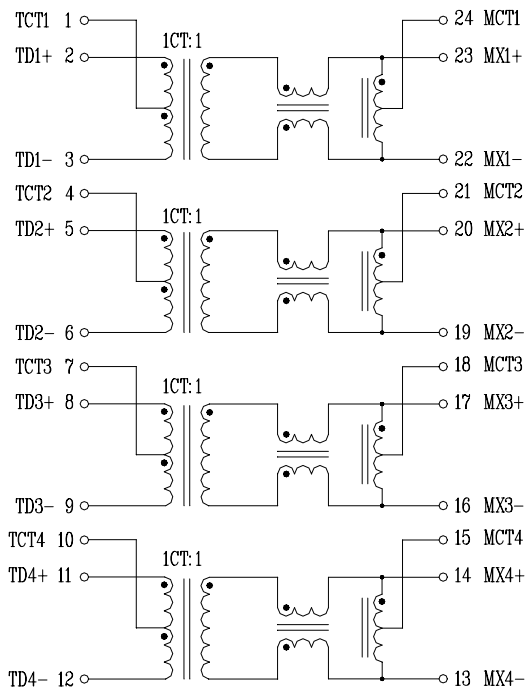
Electrical Specifications @ 25°C

| Part Number | Turns Ratio (±5%) |       | OCL (uH Min)<br>@ 100KHz/0.1Vrms with<br>8mA/DC Bias | CW/W<br>(pF Max) | L.L<br>(uH Max) | Voltage Isolation<br>(Vrms) |
|-------------|-------------------|-------|--|------------------|-----------------|-----------------------------|
|             | TX                | RX    |  |                  |                 |                             |
| 24HJT1041A  | 1CT:1             | 1CT:1 | 350  | 28               | 0.5             | 1500                        |

Continue

| Part Number | Insertion Loss<br>(dB Max.) | Return Loss<br>(dB Min @ 100 •) |         |       |       |          | Cross talk Attenuation<br>(dB Min) |       |       | Differential to Common<br>Mode Rejection<br>(dB Min) |       |       |
|-------------|-----------------------------|---------------------------------|---------|-------|-------|----------|------------------------------------|-------|-------|--|-------|-------|
|             |                             | 1-100MHz                        | 1-30MHz | 40MHz | 50MHz | 60-80MHz | 100MHz                             | 30MHz | 60MHz | 100MHz   | 30MHz | 60MHz |
| 24HJT1041A  | -1.0                        | -18                             | -14.4   | -13.1 | -12   | -10      | -45                                | -40   | -35   | -43  | -37   | -33   |

Schematic



Mechanical

