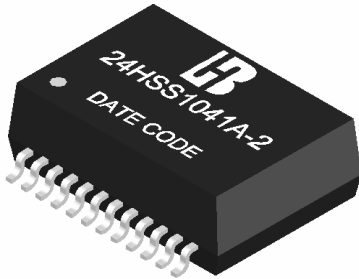




### 1000 BASE –T MAGNETICS MODULES

### P/N: 24HSS1041A-2 DATA SHEET

#### Feature

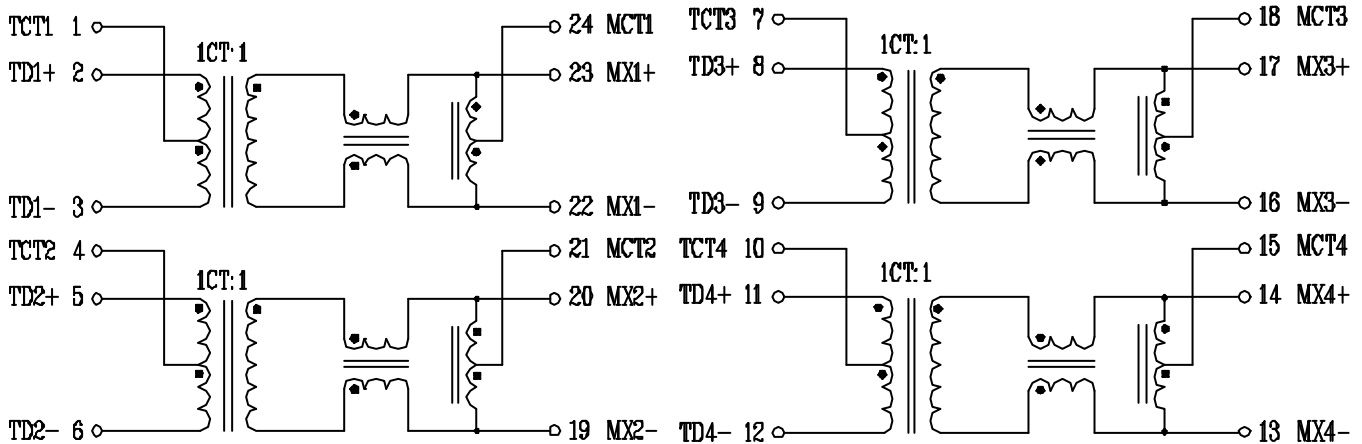


- Designed for long haul gigabit Ethernet 1000 BASE-T, full duplex applications.
- Supports 4 pairs of category UTP-5 cable.
- Cable interface for isolation and low common mode emissions.
- Compliant with IEEE 802.3ab standard for 1000 BASE-T.
- Operating temperature range: 0 to +70 .
- Storage temperature range: -25 to +125 .

Electrical Specifications @ 25° C						
Part Number	Turns Ratio (±5%)	OCL (uH Min) @100KHz/0.1V with 8mA DC Bias	Cross talk Attenuation (dB Min)			HI-POT (Vrms)
			30MHz	60MHz	100MHz	
24HSS1041A-2	1CT:1	350	-45	-40	-35	1500

Continue									
Part Number	Insertion Loss (dB Max)	Return Loss (dB Min) @ Load 100					DCMR (dB Min)		
		1-100MHz	1-30MHz	40MHz	50MHz	60-80MHz	100MHz	30MHz	60MHz
24HSS1041A-2	-1.0	-18	-14.4	-13.1	-12	-10	-43	-37	-33

#### Schematic

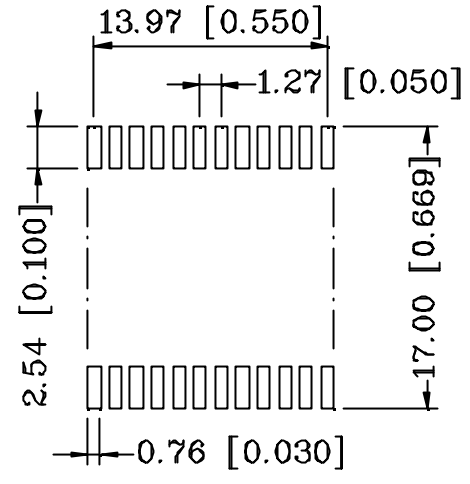
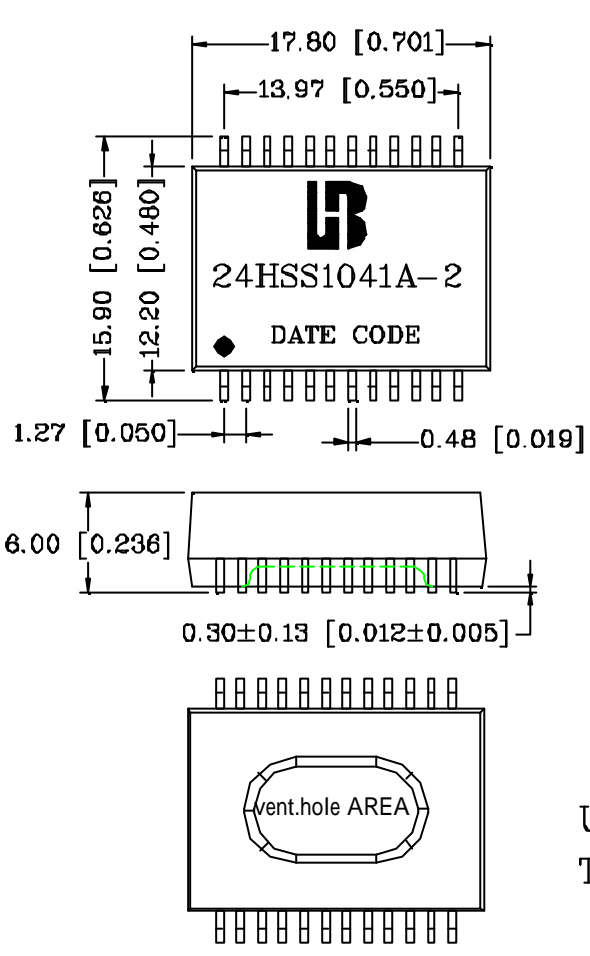




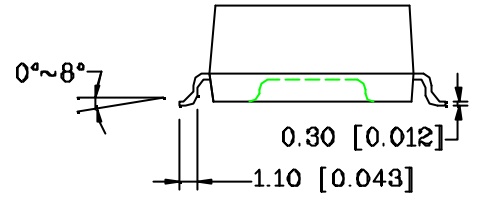
1000 BASE -T MAGNETICS MODULES

P/N: 24HSS1041A-2 DATA SHEET

Mechanical



SUGGESTED PAD LAYOUT



Units: mm [Inches]  
 Tolerances: xx.x0±0.25 [0.010]  
 0.xx±0.05 [0.002]