



P/N: 24HST1041-2 DATA SHEET

Feature



- Designed for long haul gigabit Ethernet 1000 BASE-T, full duplex applications.
- Supports 4 pairs of category 5 UTP cable.
- Cable interface for isolation and low common mode emissions.
- Compliant with IEEE 802.3ab standard for 1000 BASE-T.
- Operating temperature range: 0°C to +70°C.
- Storage temperature range: -25°C to +125°C.

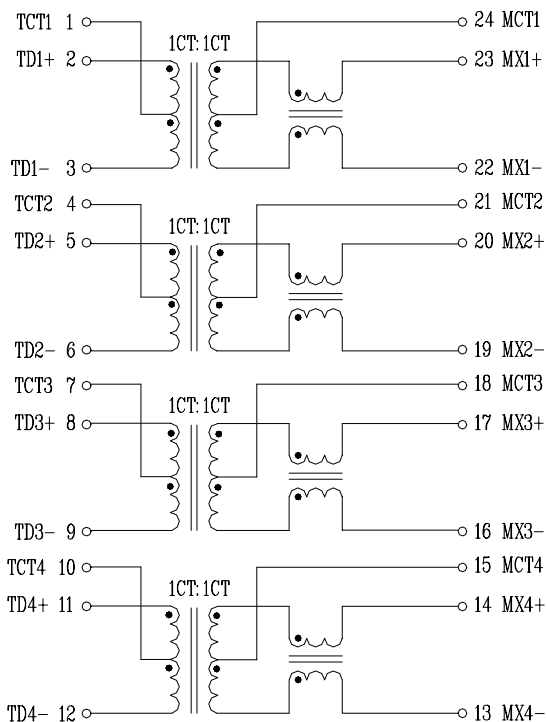
Electrical Specifications @ 25°C

| Part Number | Turns Ratio (±5%) | | OCL (uH Min) @ 100KHz/0.1V with 8mA DC Bias | Cross talk Attenuation (dB Min) | | | HI-POT (Vrms) |
|-------------|-------------------|---------|---|---------------------------------|-------|--------|---------------|
| | TX | RX | | 30MHz | 60MHz | 100MHz | |
| 24HST1041-2 | 1CT:1CT | 1CT:1CT | 350 | -45 | -40 | -35 | 1500 |

Continue

| Part Number | Insertion Loss (dB Max) | Return Loss (dB Min)@100Ω | | | | | DCMR (dB Min) | | |
|-------------|-------------------------|---------------------------|---------|-------|-------|----------|---------------|-------|-------|
| | | 1-100MHz | 1-30MHz | 40MHz | 50MHz | 60-80MHz | 100MHz | 30MHz | 60MHz |
| 24HST1041-2 | -1.0 | -18 | -14.4 | -13.1 | -12 | -10 | -43 | -37 | -33 |

Schematic



Mechanical

