

**P/N: 24HST1041-3B DATA SHEET****Feature**

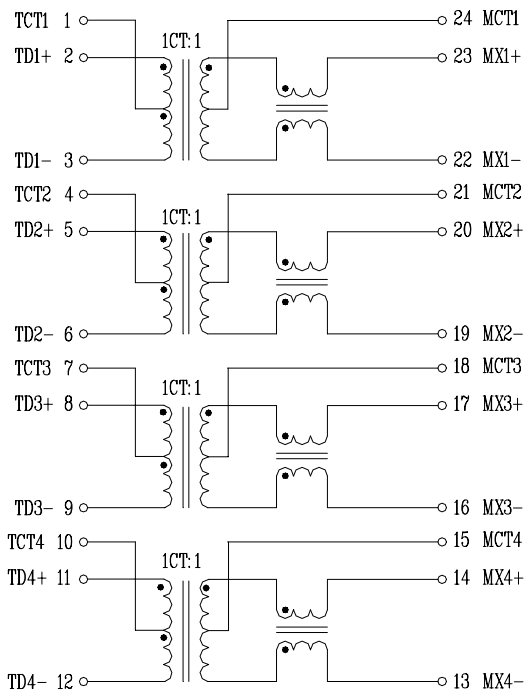
- Designed for long haul gigabit Ethernet 1000 BASE-T, full duplex applications.
- Supports 4 pairs of category UTP-5 cable.
- Cable interface for isolation and reject common mode emissions.
- Compliant with IEEE 802.3ab standard for 1000 BASE-T.
- Operating temperature range: 0°C to +70°C.
- Storage temperature range: -25°C to +125°C.

Electrical Specifications @ 25°C

| Part Number | Turns Ratio (±5%) | OCL (uH Min) @ 100KHz/0.1V with 8mA DC Bias | Cross talk Attenuation (dB Min) | | | HI-POT (Vrms) |
|--------------|-------------------|---|---------------------------------|-------|--------|---------------|
| | | | 30MHz | 60MHz | 100MHz | |
| 24HST1041-3B | 1CT:1 | 350 | -45 | -40 | -35 | 1500 |

Continue

| Part Number | Insertion Loss (dB Max) | Return Loss (dB Min)@ Load 100Ω | | | | | DCMR (dB Min) | | |
|--------------|-------------------------|----------------------------------|---------|-------|-------|----------|---------------|-------|-------|
| | | 1-100MHz | 1-30MHz | 40MHz | 50MHz | 60-80MHz | 100MHz | 30MHz | 60MHz |
| 24HST1041-3B | -1.0 | -18 | -14.4 | -13.1 | -12 | -10 | -40 | -35 | -30 |

Schematic**Mechanical**