

**P/N: 24HST1041-4 DATA SHEET****Feature**

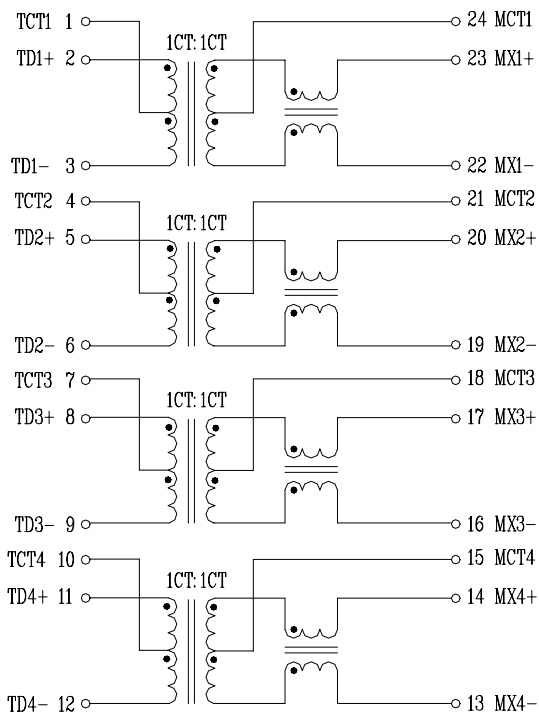
- Designed for long haul gigabit Ethernet 1000 BASE-T, full duplex applications.
- Supports 4 pairs of category 5 UTP cable.
- Cable interface for isolation and low common mode emissions.
- Compliant with IEEE 802.3ab standard for 1000 BASE-T.
- Operating temperature range: 0°C to +70°C.
- Storage temperature range: -25°C to +125°C.

**Electrical Specifications @ 25°C**

| Part Number | Turns Ratio<br>(±5%) |         | OCL (uH Min)<br>@ 100KHz/0.1V<br>with 8mA DC Bias | Cross talk Attenuation<br>(dB Min) |       |        | HI-POT<br>(Vrms) |
|-------------|----------------------|---------|---|------------------------------------|-------|--------|------------------|
|             | TX                   | RX      |   | 30MHz                              | 60MHz | 100MHz |                  |
| 24HST1041-4 | 1CT:1CT              | 1CT:1CT | 350   | -45                                | -40   | -35    | 1500             |

**Continue**

| Part Number | Insertion Loss<br>(dB Max) | Return Loss<br>(dB Min)@100Ω |         |       |       |          | DCMR<br>(dB Min) |       |       |
|-------------|----------------------------|------------------------------|---------|-------|-------|----------|------------------|-------|-------|
|             |                            | 1-100MHz                     | 1-30MHz | 40MHz | 50MHz | 60-80MHz | 100MHz           | 30MHz | 60MHz |
| 24HST1041-4 | -1.0                       | -18                          | -14.4   | -13.1 | -12   | -10      | -43              | -37   | -33   |

**Schematic****Mechanical**