

1000 BASE –T MAGNETICS MODULES

P/N: 24HST1041AX DATA SHEET

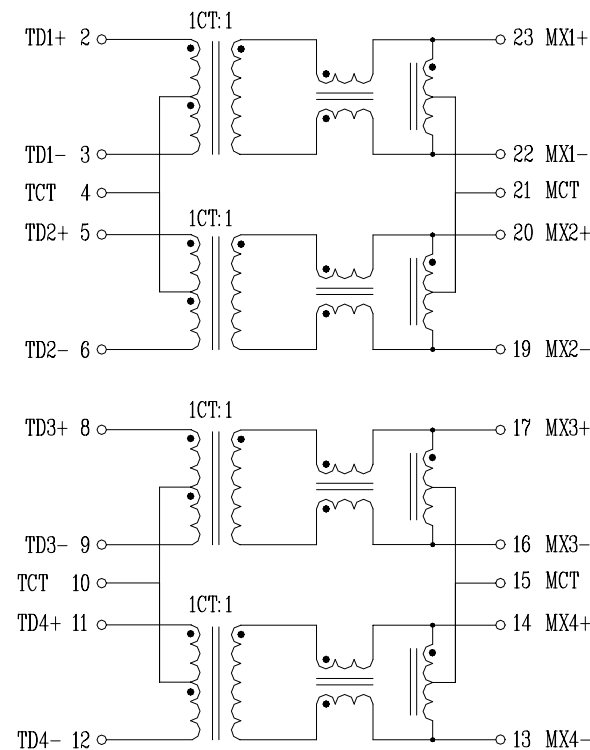
Feature



- Designed for long haul gigabit Ethernet 1000 BASE-T, full duplex applications.
- Supports 4 pairs of category 5 UTP cable.
- Cable interface for isolation and low common mode emissions.
- Compliant with IEEE 802.3ab standard for 1000 BASE-T.
- Insulation Resistance: 10,000 MΩ

Electrical Specifications @ 25°C													
Part Number	Turns Ratio (±5%)		OCL (uH Min) @ 100KHz/0.1Vrms with 8mA/DC Bias				CW/W (pF Max)			L.L (uH Max)		Voltage Isolation (Vrms)	
	TX	RX											
24HST1041AX	1CT:1	1CT:1											
Continue													
Part Number	Insertion Loss (dB Max.)	Return Loss (dB Min @ 100 Ω)					Cross talk Attenuation (dB Min)			Differential to Common Mode Rejection (dB Min)			
		1-100MHz	1-30MHz	40MHz	50MHz	60-80MHz	100MHz	30MHz	60MHz	100MHz	30MHz	60MHz	100MHz
24HST1041AX	-1.0	-18	-14.4	-13.1	-12	-10	-45	-40	-35	-43	-37	-33	

Schematic



Mechanical

