

**P/N: 24HST1041C DATA SHEET****Feature**

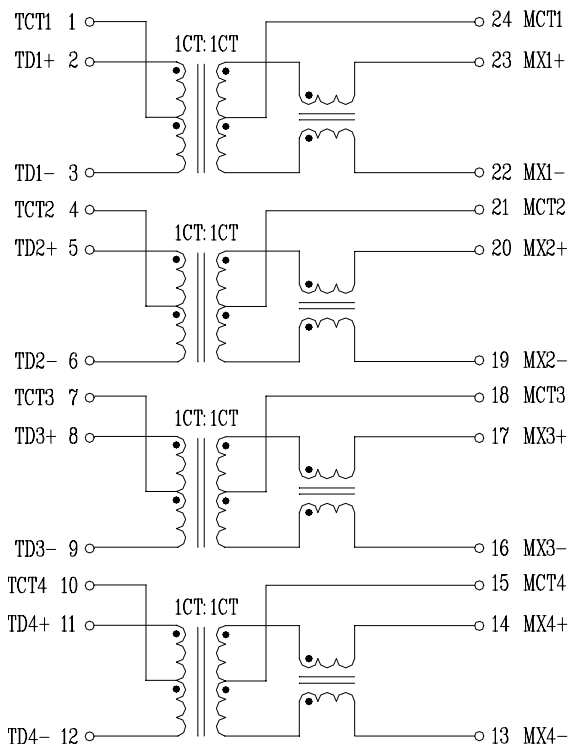
- Designed for long haul gigabit Ethernet 1000 BASE-T, full duplex applications.
- Supports 4 pairs of category 5 UTP cable.
- Cable interface for isolation and low common mode emissions.
- Compliant with IEEE 802.3ab standard for 1000 BASE-T.
- Insulation Resistance: 10,000 M Ω
- Design meet to loop currents from 330mA.
- Operating temperature range: 0 $^{\circ}$ C to +70 $^{\circ}$ C.
- Storage temperature range: -25 $^{\circ}$ C to +125 $^{\circ}$ C.

Electrical Specifications @ 25 $^{\circ}$ C

| Part Number | Turns Ratio ($\pm 5\%$) | | OCL (μ H Min) @ 100KHz/0.1Vrms with 8mA/DC Bias | C_{www} (pF Max) | L.L (μ H Max) | HI-POT (Vrms) |
|-------------|---------------------------|---------|--|-----------------------|-----------------------|------------------|
| | TX | RX | | | | |
| 24HST1041C | 1CT:1CT | 1CT:1CT | 350 | 28 | 0.5 | 1500 |

Continue

| Part Number | Insertion Loss (dB Max) | Return Loss (dB Min @ 100 Ω) | | | | | Cross talk Attenuation (dB Min) | | | DCMR (dB Min) | | |
|-------------|----------------------------|---|---------|-------|-------|----------|------------------------------------|-------|-------|------------------|-------|-------|
| | | 1-100MHz | 1-30MHz | 40MHz | 50MHz | 60-80MHz | 100MHz | 30MHz | 60MHz | 100MHz | 30MHz | 60MHz |
| 24HST1041C | -1.0 | -18 | -14.4 | -13.1 | -12 | -10 | -45 | -40 | -35 | -43 | -37 | -33 |

Schematic**Mechanical**