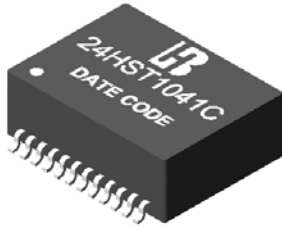


1000 BASE –T MAGNETICS MODULES

P/N: 24HST1041C DATA SHEET

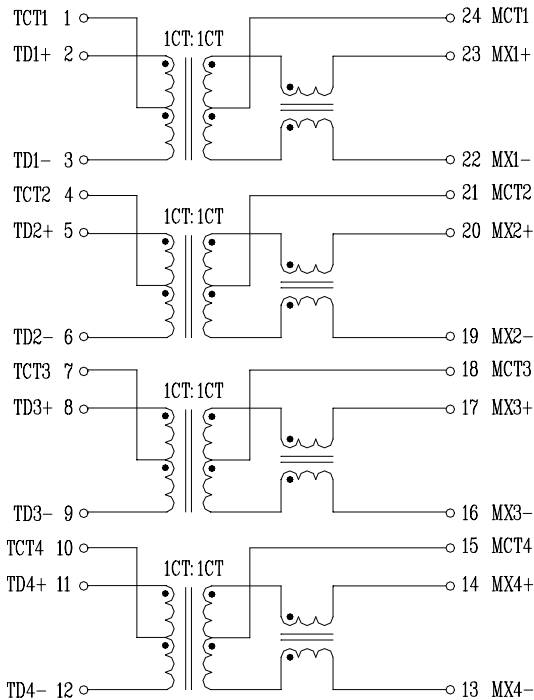
Feature



- Designed for long haul gigabit Ethernet 1000 BASE-T, full duplex applications.
- Supports 4 pairs of category 5 UTP cable.
- Cable interface for isolation and low common mode emissions.
- Compliant with IEEE 802.3ab standard for 1000 BASE-T.
- Insulation Resistance: 10,000 MΩ
- Design meet to loop currents from 330mA.
- Operating temperature range: 0°C to +70°C.
- Storage temperature range: -25°C to +125°C.

Electrical Specifications @ 25°C												
Part Number	Turns Ratio (±5%)		OCL (uH Min) @ 100KHz/0.1Vrms with 8mA/DC Bias				C _{WW} (pF Max)	L.L (uH Max)			HI-POT (Vrms)	
	TX	RX	1-30MHz	40MHz	50MHz	60-80MHz		30MHz	60MHz	100MHz		
24HST1041C	1CT:1CT	1CT:1CT	350				28	0.5			1500	
Continue												
Part Number	Insertion Loss (dB Max)	Return Loss (dB Min @ 100 Ω)					Cross talk Attenuation (dB Min)			DCMR (dB Min)		
		1-100MHz	1-30MHz	40MHz	50MHz	60-80MHz	100MHz	30MHz	60MHz	100MHz	30MHz	60MHz
24HST1041C	-1.0	-18	-14.4	-13.1	-12	-10	-45	-40	-35	-43	-37	-33

Schematic



Mechanical

