

**P/N: 24HST1041F1-2 DATA SHEET****Feature**

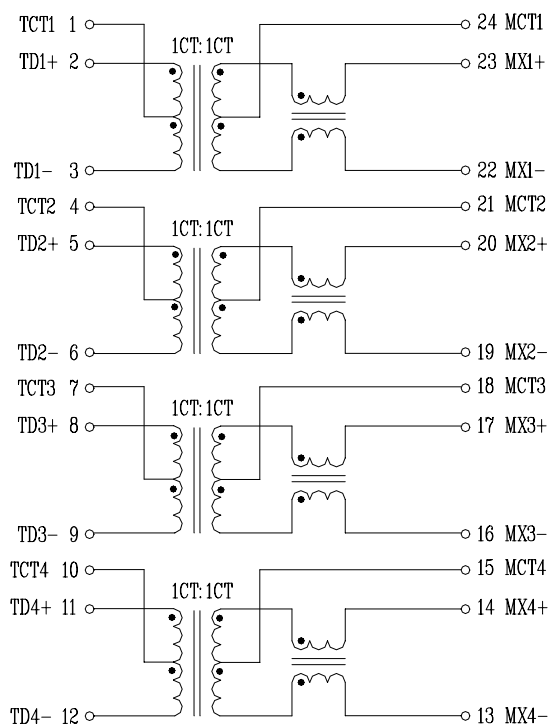
- Designed for long haul gigabit Ethernet 1000 BASE-T, full duplex applications.
- Supports 4 pairs of category 5 UTP cable.
- Cable interface for isolation and low common mode emissions.
- Compliant with IEEE 802.3ab standard for 1000 BASE-T.
- Operating temperature range: 0 to +70 .
- Storage temperature range: -25 to +125 .

**Electrical Specifications @ 25°C**

Part Number	Turns Ratio (±5%)		OCL (uH Min) @ 100KHz/0.1V with 8mA DC Bias	Cross talk Attenuation (dB Min)			HI-POT (Vrms)
	TX	RX		30MHz	60MHz	100MHz	
24HST1041F1-2	1CT:1CT	1CT:1CT	350	-45	-40	-35	1500

**Continue**

Part Number	Insertion Loss (dB Max)	Return Loss (dB Min)@100					DCMR (dB Min)		
		1-100MHz	30MHz	40MHz	60MHz	80MHz	100MHz	30MHz	60MHz
24HST1041F1-2	-1.0	-18	-14	-12	-11	-10	-43	-37	-33

**Schematic****Mechanical**