



P/N: 24HST1041G1-2 DATA SHEET

Feature



- Designed for long haul gigabit Ethernet 1000 BASE-T, full duplex applications.
- Supports 4 pairs of category 5 UTP cable.
- Compliant with IEEE 802.3ab standard for 1000 BASE-T.
- Operating temperature range: 0 to +70 .
- Storage temperature range: -25 to +125 .

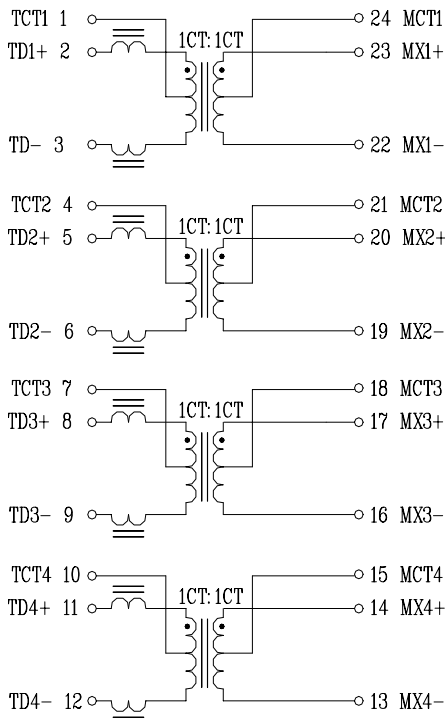
Electrical Specifications @ 25°C

Part Number	Turns Ratio (±5%)		OCL (uH Min) @100KHz/0.1V with 8mA DC Bias	Cross talk Attenuation (dB Min)			HI-POT (Vrms)
	TX	RX		30MHz	60MHz	100MHz	
24HST1041G1-2	1CT:1CT	1CT:1CT	350	-45	-40	-35	1500

Continue

Part Number	Insertion Loss (dB Max)	Return Loss (dB Min)@Load 100					DCMR (dB Min)		
		1-30MHz	40MHz	50MHz	60-80MHz	100MHz	30MHz	60MHz	100MHz
24HST1041G1-2	-1.2	-16	-13	-12	-11	-10	-43	-37	-33

Schematic



Mechanical

