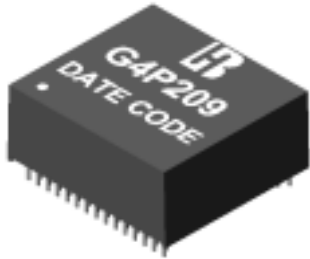




1000 BASE –T QUAD PORT MAGNETICS MODULES

P/N: G4P209 DATA SHEET

Feature



- Designed for Ethernet 1000 BASE-T, full Quad port applications.
- Supports 16 pairs of category 5 UTP cable.
- Cable interface for isolation and low common mode emissions.
- Compliant with IEEE 802.3ab standard for 1000 BASE-T.
- Operating temperature range: 0°C to +70°C.
- Storage temperature range: -25°C to +105°C.

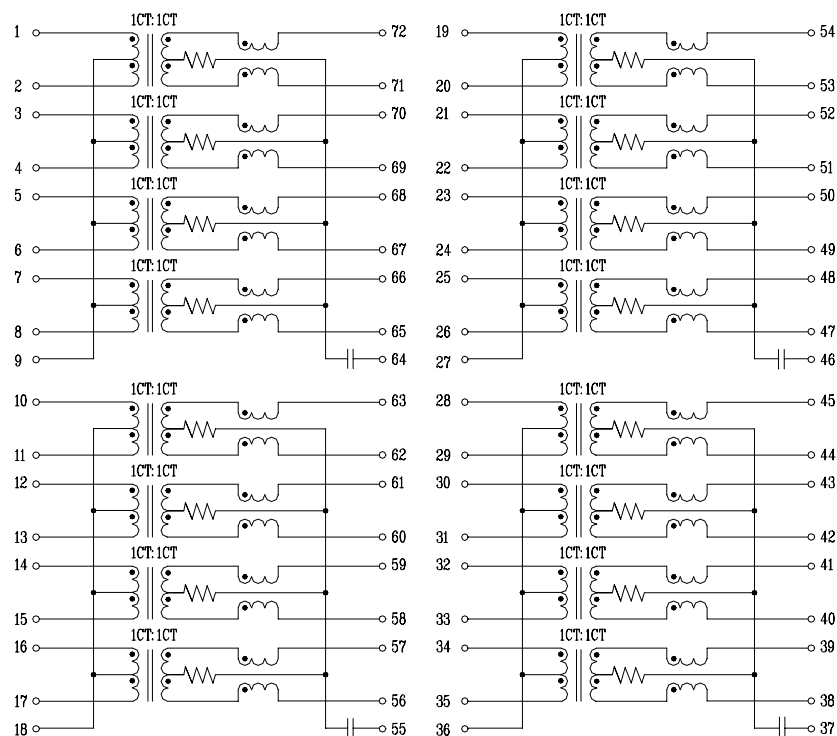
Electrical Specifications @ 25°C

Part Number	Turns Ratio (±5%)		Cross talk Attenuation (dB Min)			HI-POT (Vrms)
	TX	RX	30MHz	60MHz	100MHz	
G4P209	1CT:1CT	1CT:1CT	-40	-35	-30	1500

Continue

Part Number	Insertion Loss (dB Max)	Return Loss (dB Min)@ Load 100Ω					DCMR (dB Min)		
		1-100MHz	1-30MHz	40MHz	50MHz	60-80MHz	100MHz	30MHz	60MHz
G4P209	-1.0	-18	-14.4	-13.1	-12	-10	-40	-35	-30

Schematic

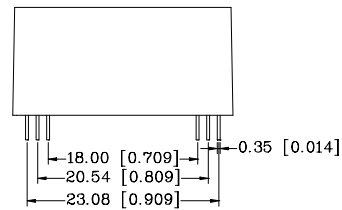
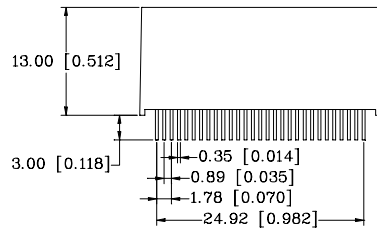
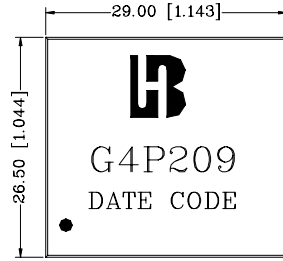




1000 BASE -T QUAD PORT MAGNETICS MODULES

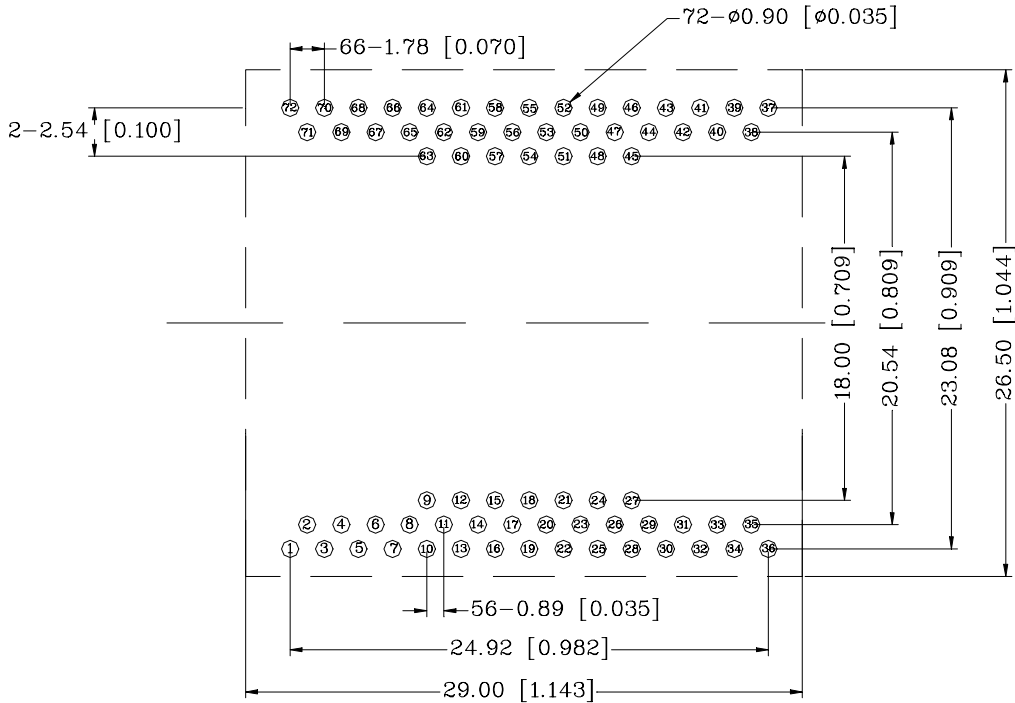
P/N: G4P209 DATA SHEET

Mechanical



Units: mm[Inches] Tolerance: xx.x0±0.25[0.010]
0.xx±0.05[0.002]

PCB Layout mounting Hole (Top View)



Units: mm[Inches] Tolerances: xx.x0±0.25[0.010]
0.xx±0.05[0.002]