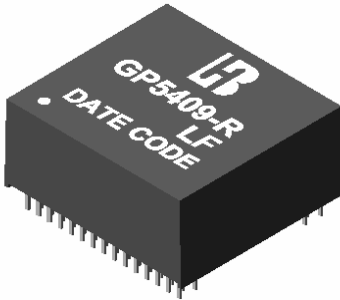




# 1000 BASE –T QUAD PORT MAGNETICS MODULES

## P/N: GP5409-R LF DATA SHEET

### Feature



- Designed for long haul gigabit Ethernet 1000 BASE-T, full duplex and POE applications.
- Supports 16 pairs of category 5 UTP cable.
- Cable interface for isolation and low common mode emissions.
- Compliant with IEEE 802.3af standard for 1000 BASE-T.
- Comply with RoHS requirements-whole part No Cd, No Hg, No Cr6+, No PBB and PBDE and No Pb on external pins.
- Operating temperature range: 0 to +70 .
- Storage temperature range: -25 to +105 .

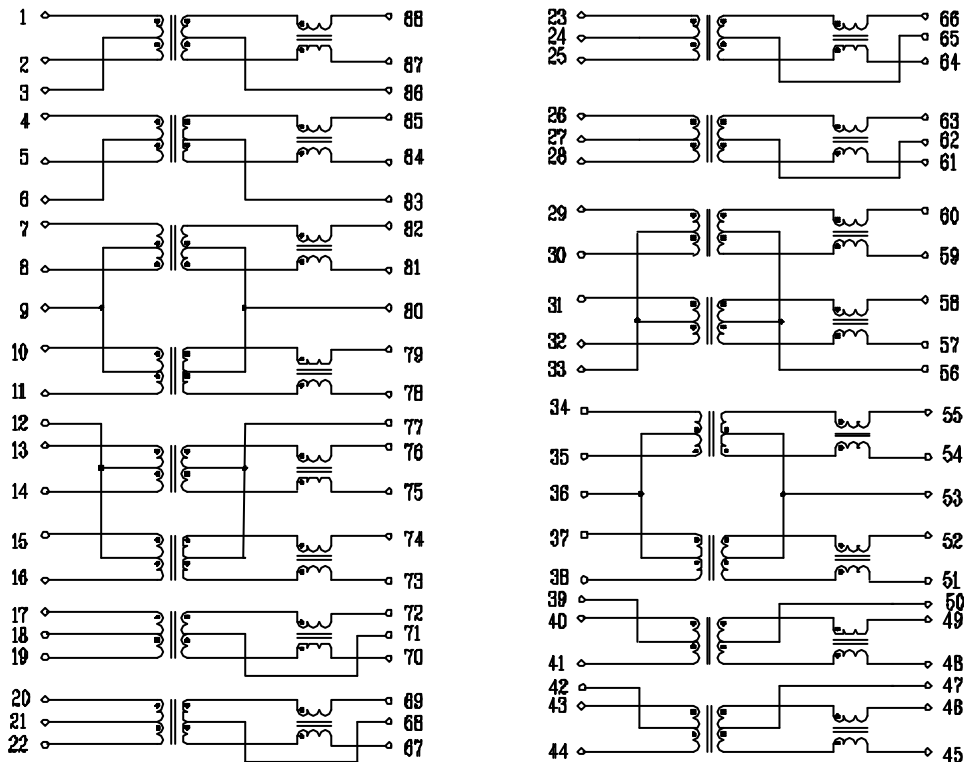
### Electrical Specifications @ 25°C

Part Number	Turns Ratio (±5%)		OCL (uH Min) @100KHz/0.1V with 8mA DC Bias	Cross talk Attenuation (dB Min)			HI-POT (Vrms)
	TX	RX		30MHz	60MHz	100MHz	
GP5409-R LF	1CT:1CT	1CT:1CT	350	-40	-35	-30	1500/60s

### Continue

Part Number	Insertion Loss (dB Max)	Return Loss (dB Min @100 )					DCMR (dB Min)		
		1-100MHz	1-30MHz	40MHz	50MHz	60-80MHz	100MHz	30MHz	60MHz
GP5409-R LF	-1.1	-18	-14.4	-13.1	-12.5	-12	-43	-37	-33

### Schematic

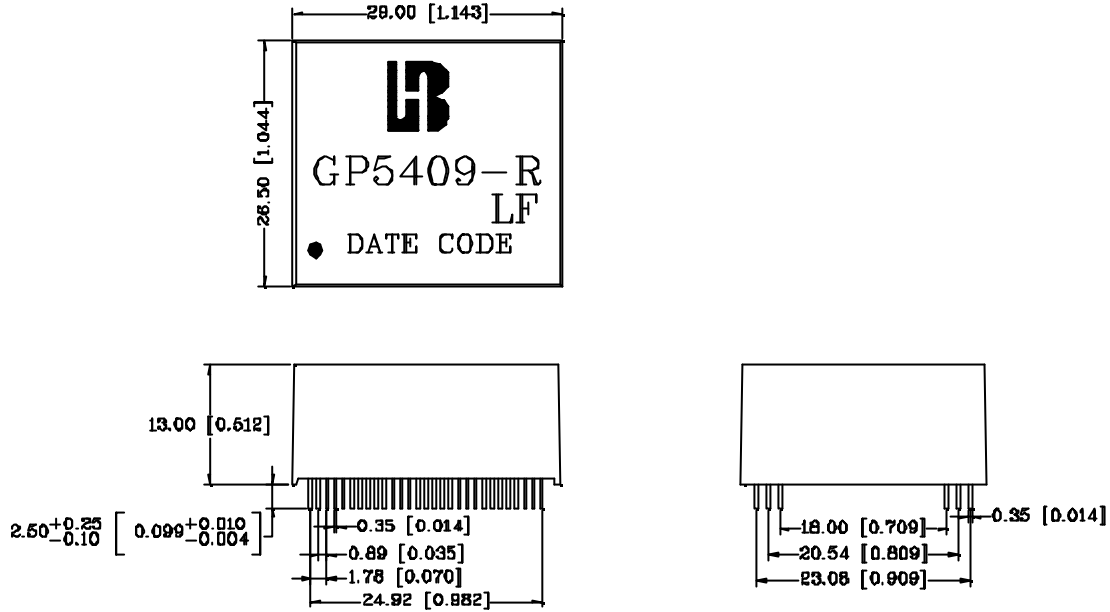




# 1000 BASE -T QUAD PORT MAGNETICS MODULES

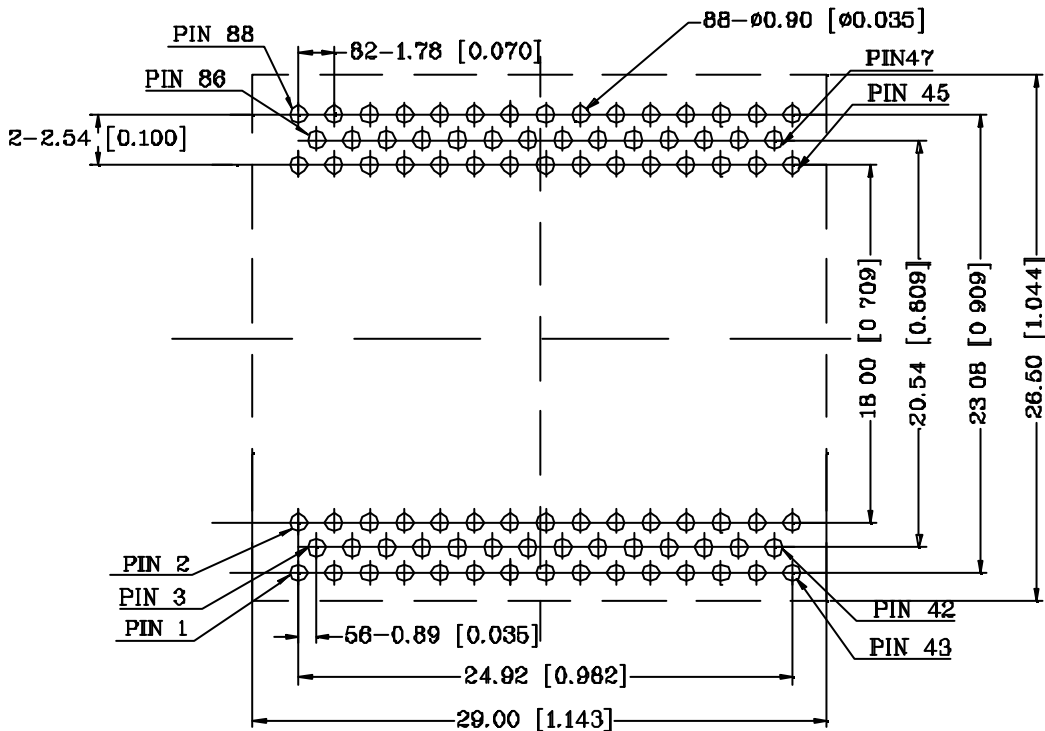
## P/N: GP5409-R LF DATA SHEET

### Mechanical



Units: mm[Inches] Tolerance : xx.x0±0.25[0.010]  
0.xx±0.05[0.002]

### PCB Layout mounting Hole ( Top View)



Units: mm[Inches] Tolerances: xx.x0±0.25[0.010]  
0.xx±0.05[0.002]