



NA0068 LF

1000 BASE-T PC CARD LAN MAGNETICS SOLUTIONS

P/N: NA0068 LF DATA SHEET(Preliminary)

Feature



- Half port and single port designs for maximum layout flexibility.
- Low profile packages from 0.094 Inch(2.39mm) to 0.078 Inch(1.98mm) for PC card and card bus applications .
- Compatible package with INTEL,TDK,QSI, and ICS Transformer.
- Comply with RoHS requirements-whole part No Cd, No Hg, No Cr6+, No PBB and PBDE and No Pb on external pins.
- Comply with Air reflow profile of JEDEC 020C.
- Operating temperature range: 0 to +70 .
- Storage temperature range: -25 to +125 .

Electrical Specifications @ 25°C

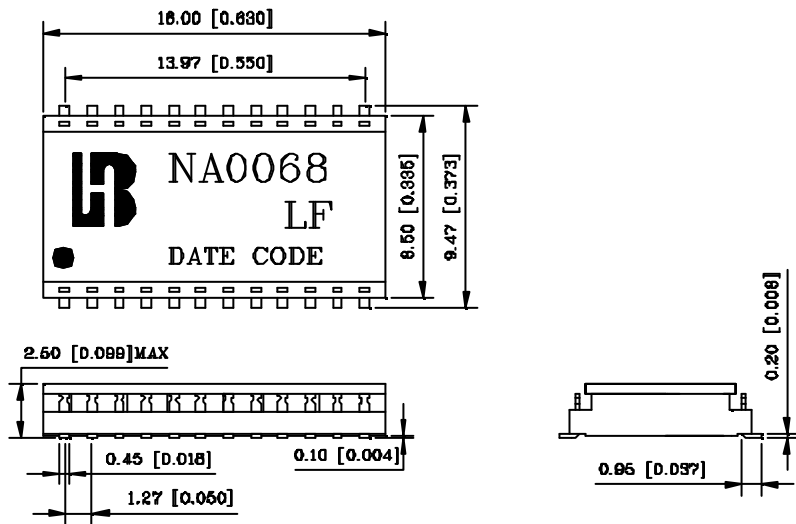
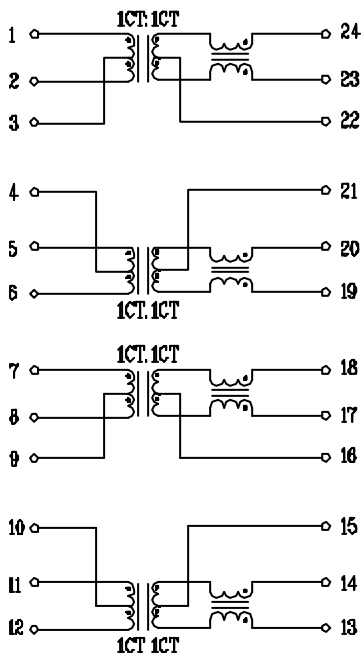
Part Number	Turns Ratio (±3%)		OCL (uH Min) @100KHz/0.1V Pin(16-15/7-8)	Cw/w (pF Max)	L.L (uH Max)	PRI DCR ( Max)	HI-POT (Vrms)
	TX	RX					
NA0068 LF	1CT:1CT	1CT:1CT	350	25	0.4	1.5	1500

Continue

Part Number	Insertion Loss (dB Max)	Return Loss (dB Min)				Cross talk (dB Min)	DCMR (dB Min)	
		0.3-30MHz	40MHz	50MHz	60-80MHz		0.3-60MHz	60-100MHz
NA0068 LF	-1.1	-18	-15.5	-13.5	-10	-38	-33	-26

Schematic

Mechanical



Units: mm [Inches] Tolerances: xx.x0±0.25 [0.010]  
0.xx±0.05 [0.002]