

# 10/100 PC CARD LAN MAGNETICS SOLUTIONS PCMCIA



462 Boston St - Topsfield, MA 01983 - Phone: 978-887-8050 - Fax: 978-887-5434

- Half port and single port designs for maximum layout flexibility
- Compatible with Intel, TDK, QSI, and ICS
- Low profile packages from .094”(2.39mm)to .078”(1.98mm)for PC Card and Card bus applications
- Storage temperature range: -40°C to +125°C.



## Electrical Specifications @ 25°C Operating Temperature range:0°C to +70°C

HI-POT Isolation:1500Vrms.

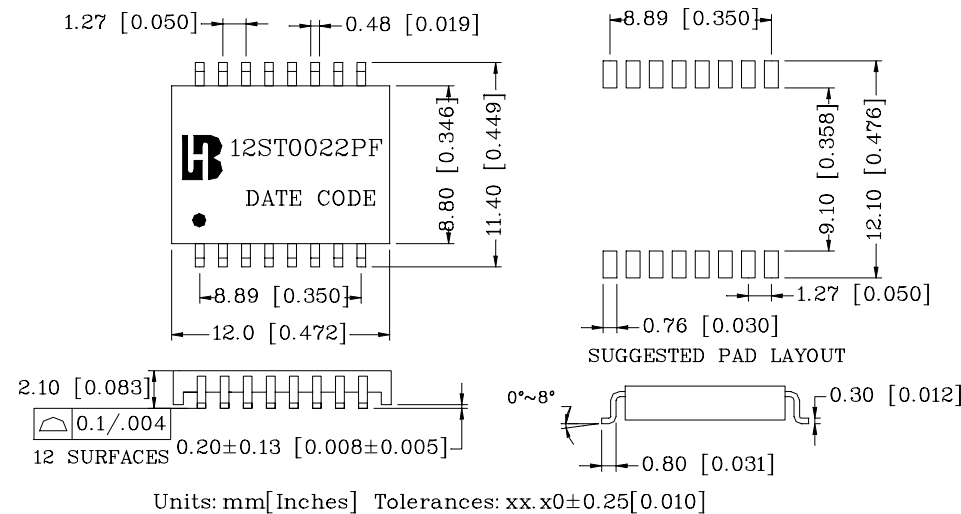
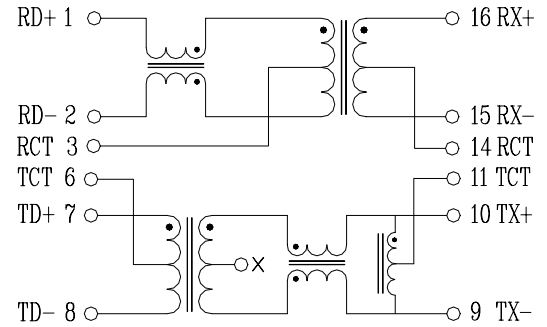
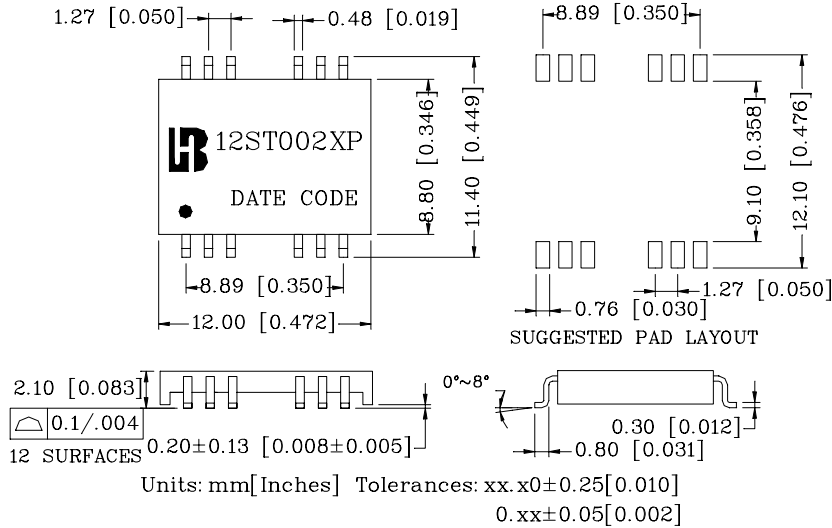
“\$” Primary OCL inductance :350 uH Min@ 100KHz/0.2V

Part Number	Turn ratio (±5%)		Insertion loss (dB Max)	Return loss (dB Min)			Cross talk (dB Min)			Differential to Common Mode Rejection (dB Min)			
	RX	TX		30MHz	60MHz	80MHz	30 MHz	62 MHz	100MHz	30 MHz	50 MHz	100MHz	150MHz
12ST0022P\$	1CT:1CT	1CT:1	-2.0	-18	-14	-12	-50	-45	-40	-40	-35	-30	-20
12ST0022PF\$	1CT:1CT	1CT:1	-2.0	-18	-14	-12	-50	-45	-40	-40	-35	-30	-20
12ST0023P	1CT:1CT	1CT:1	-2.0	-18	-14	-12	-50	-45	-40	-40	-35	-30	-20

## Mechanicals

## Schematics

### 12ST002XX



Bothhand USA. e-mail: sales@bothhandusa.com http://www.bothhand.com

462 Boston St - Topsfield, MA 01983 - Phone: 978-887-8050 - Fax: 978-887-5434