

**P/N: 12ST0023P1 LF DATA SHEET**

Page : 1/1

**Feature**

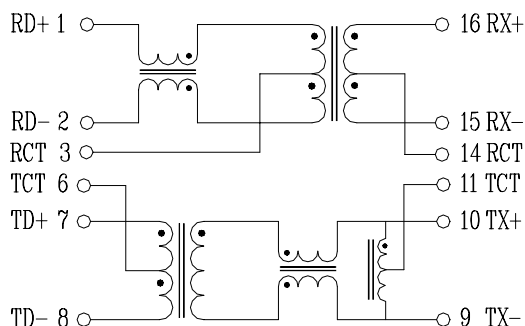
- Half port and single port designs for maximum layout flexibility.
- Compatible with Intel, TDK, QSI, and ICS.
- Low profile packages from .094" (2.39mm) to .078" (1.98mm) for PC Card and Card bus applications.
- Lead free for external pins.
- Operating Temperature range: 0°C to +70°C.
- Storage temperature range: -25°C to +125°C.

**Electrical Specifications @ 25°C**

Part Number	Turns Ratio (±5%)		L.L (uH Max)	C <sub>www</sub> (pF Max)	Insertion Loss (dB Max) 0.3-100 MHz	HI-POT (Vrms)
	TX	RX				
12ST0023P1 LF	1CT:1	1CT:1CT	0.3	8.5	-0.8	1500

**Continue**

Part Number	Return Loss (dB Min)			Cross talk (dB Min)			DCMR (dB Min) TX/RX			
	30MHz	60MHz	80MHz	30MHz	62MHz	100MHz	30MHz	50MHz	100MHz	150MHz
12ST0023P1 LF	-15	-13	-11	-45	-40	-35	-40	-35	-30	-20

**Schematic****Mechanical**