

10/100 BASE-T SINGLE PORT TRANSFORMER MODULES

P/N:12ST1112 DATA SHEET

Feature



- Compact symmetrical size facilitates chip shooter placement and reduces manufacturing time.
- IEEE 802.3 and ANSI X3.263 compliant including 350uH OCL with 8mA Bias.
- Patented interlock Base construction for high reliability.
- Operating Temperature range: 0°C to +70°C.
- Storage temperature range: -25°C to +125°C.

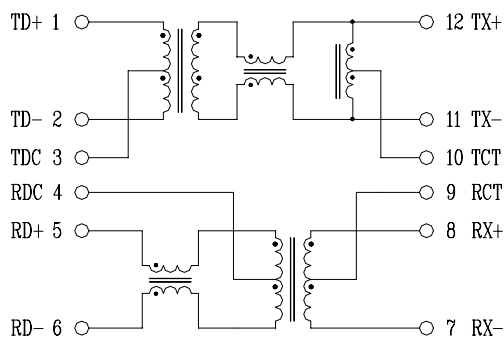
Electrical Specifications @ 25°C

Part Number	Transmit Turns Ratio		OCL (uH Min) @100KHz/0.1V with 8mA DC Bias	DCMR (dB Min) TX/RX			HI-POT (Vrms)
	TX	RX		60MHz	100MHz	200MHz	
12ST1112	1CT:1	1CT:1CT	350	-28	-26	-25	1500

Continue

Part Number	Insertion Loss (dB Max)	Return Loss (dB Min)				Cross talk (dB Min)			
	0.3-100 MHz	1-30MHz	40MHz	50MHz	60-80MHz	1MHz	30MHz	60MHz	100MHz
12ST1112	-1.2	-16	-14	-13	-12	-60	-40	-40	-35

Schematic



Mechanical

