



10/100 BASE-TX SINGLE PORT TRANSFORMER MODULE

P/N:12ST1126 LF DATA SHEET

Feature



- Compact symmetrical size facilitates chip shooter placement and reduces manufacturing time.
- IEEE 802.3 and ANSI X3.263 compliant including 350uH OCL with 8mA Bias.
- Patented interlock Base construction for high reliability.
- Comply with RoHS requirements-whole part No Cd, No Hg, No Cr6+, No PBB and PBDE and No Pb on external pins.
- Comply with Air reflow profile of JEDEC 020C.
- Operating Temperature range: 0 to +70 .
- Storage temperature range: -25 to +125 .

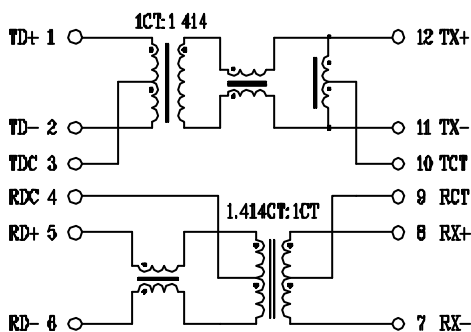
Electrical Specifications @ 25°C

| Part Number | Turns Ratio | | OCL (uH Min) @100KHz/0.1V with 8mA DC Bias | DCMR (dB Min) TX/RX | | | | HI-POT (Vrms) |
|-------------|-------------|-------------|--|------------------------|-------|--------|--------|------------------|
| | TX | RX | | 30MHz | 60MHz | 100MHz | 200MHz | |
| 12ST1126 LF | 1CT:1.414 | 1CT:1.414CT | 350 | -59 | -49 | -42 | -37 | 1500 |

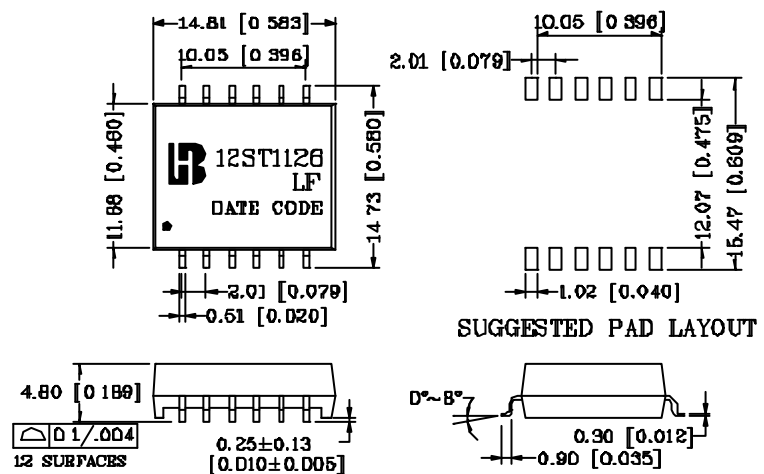
Continue

| Part Number | Insertion Loss (dB Max) | Return Loss (dB Min) | | | | | Cross talk (dB Min) | | | |
|-------------|----------------------------|-------------------------|-------|-------|----------|------|------------------------|-------|--------|--|
| | 0.3-100 MHz | 1-30MHz | 40MHz | 50MHz | 60-80MHz | 1MHz | 30MHz | 60MHz | 100MHz | |
| 12ST1126 LF | -1.2 | -16 | -14 | -13 | -12 | -60 | -40 | -40 | -35 | |

Schematic



Mechanical



Units: mm [Inches] Tolerances: xx.x0±0.25 [0.010]
0.xx±0.05 [0.002]