

10/100 BASE-TX SINGLE PORT TRANSFORMER MODULE

P/N:12ST1126 DATA SHEET

Feature



- Compact symmetrical size facilitates chip shooter placement and reduces manufacturing time.
- IEEE 802.3 and ANSI X3.263 compliant including 350uH OCL with 8mA Bias.
- Patented interlock Base construction for high reliability.
- Operating Temperature range: 0°C to +70°C.
- Storage temperature range: -25°C to +125°C.

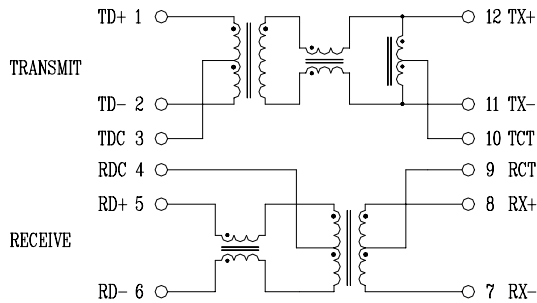
Electrical Specifications @ 25°C

Part Number	Turns Ratio		OCL (uH Min) @100KHz/0.1V with 8mA DC Bias	DCMR (dB Min) TX/RX				HI-POT (Vrms)
	TX	RX		30MHz	60MHz	100MHz	200MHz	
12ST1126	1CT:1.414	1CT:1CT	350	-59	-49	-42	-37	1500

Continue

Part Number	Insertion Loss (dB Max)	Return Loss (dB Min)				Cross talk (dB Min)			
	0.3-100 MHz	1-30MHz	40MHz	50MHz	60-80MHz	1MHz	30MHz	60MHz	100MHz
12ST1126	-1.2	-16	-14	-13	-12	-60	-40	-40	-35

Schematic



Mechanical

