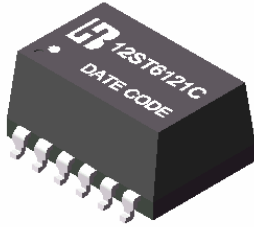


Feature

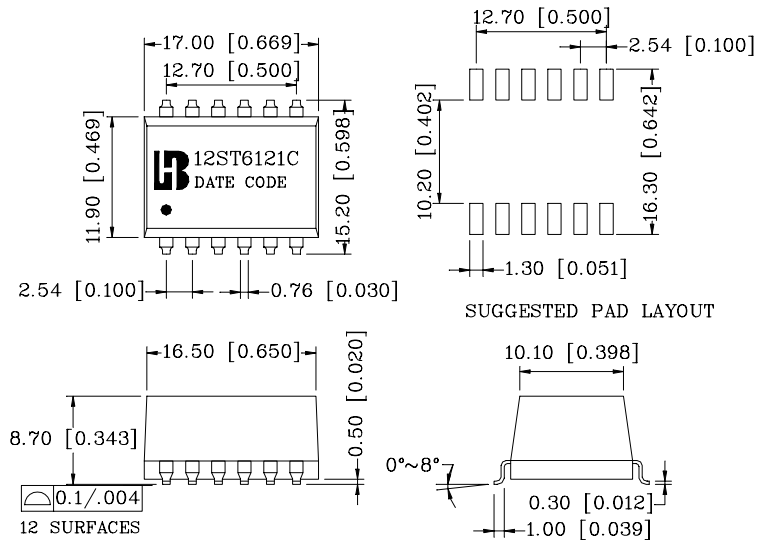
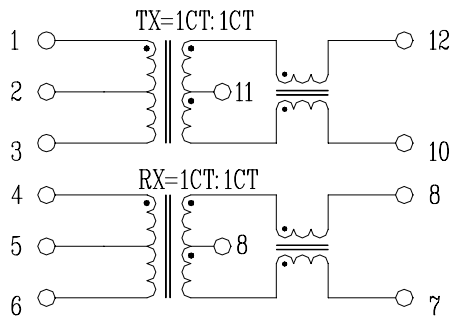


- Meets IEEE 802.3 and ANSI X3.263 standards.
- Designed for reflow soldering at temperature $235 \pm 5\%$.
- The transformer meets the specification for
- Operating Temperature range: 0°C to $+70^{\circ}\text{C}$.
- Storage temperature range: -25°C to $+125^{\circ}\text{C}$.

Electrical Specifications @ 25°C							
Part Number	Turns Ratio TX/RX(±5%)	OCL (uH Min) @ 100KHz/0.1Vrms with 8mA/DC Bias			HI-POT (Vrms)@2S		
12ST6121C	1CT:1CT	350			1500		
Continue							
Part Number	Insertion Loss (dB Max) TX/RX	Return Loss (dB Min)TX/RX			Cross talk (dB Min)TX TO RX		
		30MHz	60MHz	80MHz	30MHz	60MHz	100MHz
12ST6121C	-1.3	-17	-11	-9	-42	-37	-32

Schematic

Mechanical



Units: mm[Inches] Tolerances: xx.x0±0.25[0.010]
 0.xx±0.05[0.002]