



10/100 Base TX Transformer

Designed for 155 Mbps ATM, 100 Base TX-TP-PMD.

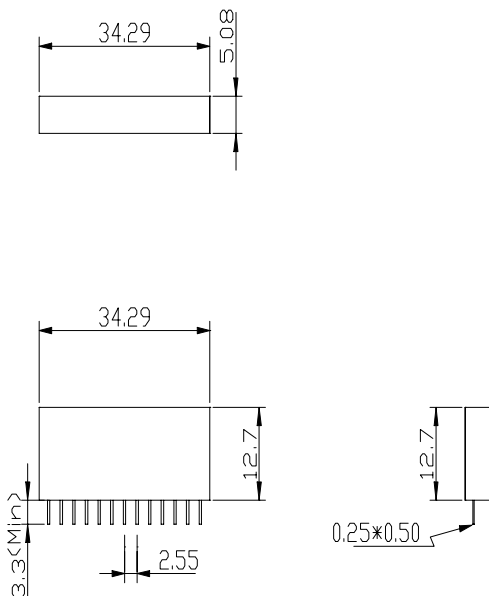
Model No.: 13PT8515-S

Designed to meet IEEE802.3U spec requirements.

Specifications: At 25°C.

1. Primary inductance (L_p): 350 UH min.
2. Leakage inductance (L_l): 0.5 UH max.
3. Primary Capacitance (C_{ww}): 28 PF max.
4. Turn Ratio: X mit: 1CT: 1CT/Rec: 1CT/1CT.
5. Insertion loss: -1.1 db max. @ 10K-10 MHZ. -20db min.
6. Return loss: 0.1MHz-10MHz -20 dB MIN; 10MHz-30MHz -19 dB MIN
30MHz-60MHz -14 dB MIN; 60MHz-80MHz -12 dB MIN
7. CMRR: -40 db min. @ 0.1-60 MHZ. -40db min. @ 60-100 MHZ.
8. Cross talk: -38 db min. @ 0.1-100 MHZ.
9. Isolation voltage: -1500 Vrms.

Dimension: mm+/-0.25



Schematic:

