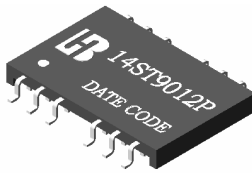


10/100 BASE-T TRANSFORMER

P/N: 14ST9012P DATA SHEET

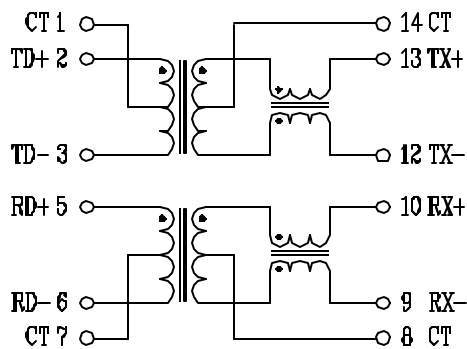
Feature



- Design for 10/100 MB/s TX & ATM 155 MB/s applications.
- Very low profile PCMCIA SMD package.
- Operating Temperature range: 0°C to +70°C.
- Storage temperature range: -25°C to +125°C.

Electrical Specifications @ 25°C										
Part Number	Turns Ratio (±5%)		OCL (uH Min) @ 100KHz/0.1Vrms with 8mA DC Bias	LL (uH Max)	C _{www} (Pf Max)	HI-POT (Vrms)	Insertion Loss (dB Max) 0.3-100 MHz			
	TX	RX								
14ST9012P	1CT:1CT	1CT:1CT	350	0.35	28	1500	-1.3			
Continue										
Part Number	Return Loss (dB Min)			Cross talk (dB Min)			DCMR (dB Min) TX/RX			
	30MHz	60MHz	80MHz	30MHz	60MHz	100MHz	30MHz	50MHz	100MHz	150MHz
14ST9012P	-18	-13	-11	-40	-40	-35	-40	-35	-30	-20

Schematic



Mechanical

