

**P/N: 14ST9014P DATA SHEET****Feature**

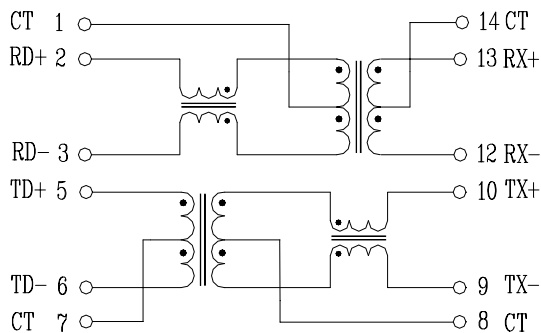
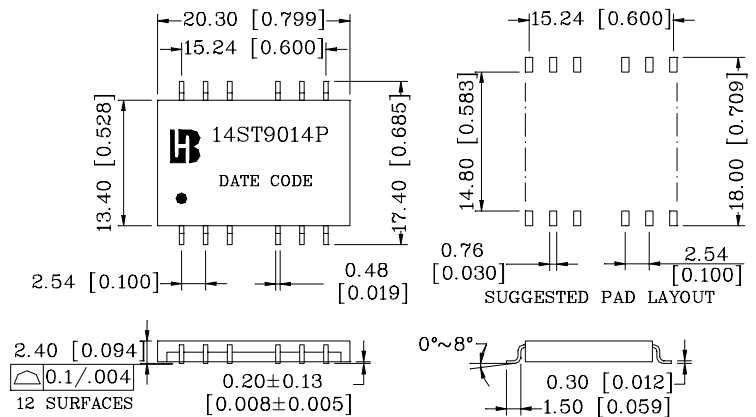
- Design for 10/100 MB/s TX & ATM 155 MB/s applications.
- Very low profile PCMCIA SMD package.
- Operating Temperature range: 0°C to +70°C.
- Storage temperature range: -25°C to +125°C.

Electrical Specifications @ 25°C

Part Number	Turns Ratio (±5%)		OCL (uH Min) @ 100KHz/0.1V with 8mA DC Bias	Cross talk (dB Min)	HI-POT (Vrms)
	TX	RX		1-100MHz	
14ST9014P	1CT:1CT	1CT:1CT	350	-35	1500

Continue

Part Number	Insertion Loss (dB Max)	Return Loss (dB Min)				DCMR (dB Min)			
		30MHz	60MHz	80MHz	30MHz	50MHz	100MHz	150MHz	
14ST9014P	-1.3	-16	-12	-10	-40	-35	-30	-20	

Schematic**Mechanical**

Units: mm [Inches] Tolerances : xx.x0±0.25 [0.010]
0.xx±0.05 [0.002]