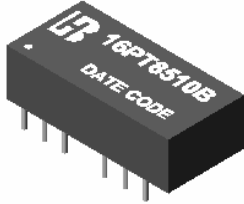


10/100 BASE-T TRANSFORMER

P/N:16PT8510B DATA SHEET

Feature

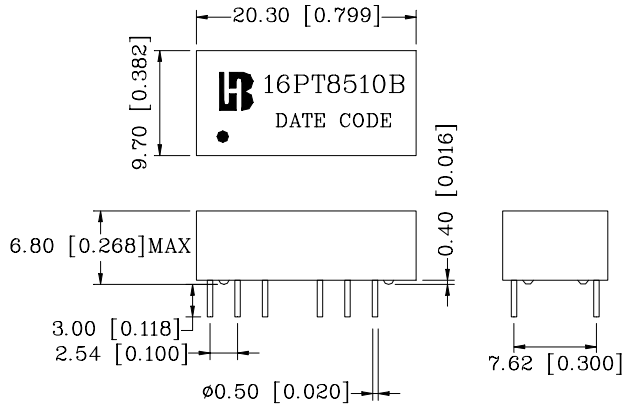
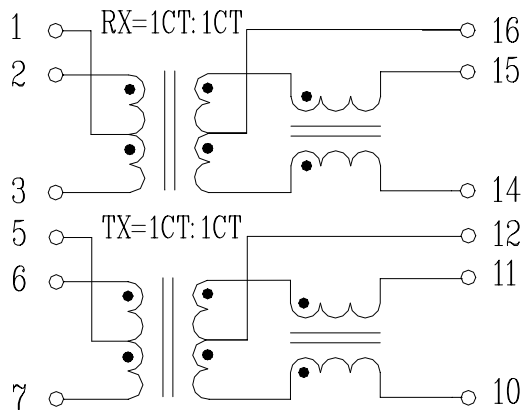


- Designed for 10/100 MB/s transmission over UTP-5 cable.
- Cable interface for isolation and low common mode Emissions.
- Tested & qualified for use with national semiconductor's DP83840 Ethernet 10/100 PHY chip.
- 16-PIN DIP package for economic cost.
- Operating temperature range: 0°C to +70°C.
- Storage temperature range: -25°C to +105°C.

Electrical Specifications @ 25°C											
Part Number	Turns Ratio (±5%)		OCL (uH Min) @ 100KHz/0.1V with 8mA DC Bias	Insertion Loss (dB Max)		Rise Time 10-90% (nS Typ)	HI-POT (Vrms)				
	TX	RX		0.3-100MHz							
16PT8510B	1CT:1CT	1CT:1CT	350	-1.15		2.5	1500				
Continue											
Part Number	Return Loss (dB Min)					Cross talk (dB Min)		DCMR (dB Min)TX/RX			
	30MHz	40MHz	50MHz	60MHz	80MHz	0.3-60MHz	60-100MHz	0.3-30MHz	60MHz	100MHz	
16PT8510B	-16	-14	-13.5	-13	-12	-45	-35	-40	-35	-30	

Schematic

Mechanical



Units: mm[Inches] Tolerances: xx.x0±0.25[0.010]
0.xx±0.05[0.002]