



10/100 BASE-T TRANSFORMER

P/N: 16PT8510DX DATA SHEET

Feature



- Designed for 10/100 MB/s transmission over UTP-5 cable.
- Cable interface for isolation and low common mode Emissions.
- Tested & qualified for use with national semiconductor's DP83840 Ethernet 10/100 PHY chip.
- 16-PIN DIP package for economic cost.
- Operating Temperature range: 0 to +70 .
- Storage temperature range: -25 to +105 .

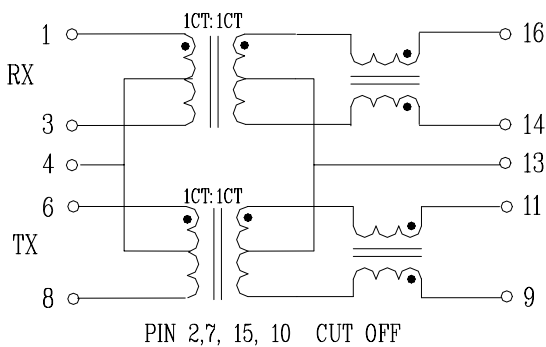
Electrical Specifications @ 25°C

Part Number	Turns Ratio (±5%)		OCL (uH Min) @ 100KHz/0.1Vrms with 8mA/DC Bias	HI-POT (Vrms)
	TX	RX		
16PT8510DX	1CT:1CT	1CT:1CT	350	1500

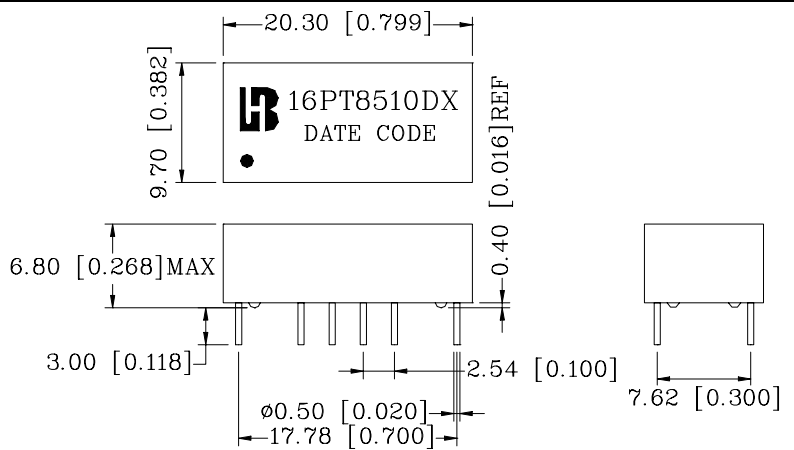
Continue

Part Number	Insertion Loss (dB Max)	Return Loss (dB Min)					Cross talk (dB Min)	DCMR (dB Min)
		30MHz	40MHz	50MHz	60MHz	80MHz		
16PT8510DX	-1.15	-16	-14	-13.5	-13	-12	-35	-30

Schematic



Mechanical



Units: mm[Inches] Tolerances: xx.x0±0.25[0.010]  
0.xx±0.05[0.002]