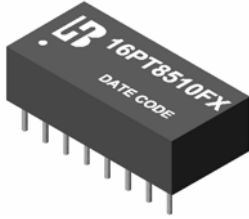


10/100 BASE-T TRANSFORMER

P/N:16PT8510FX DATA SHEET

Feature

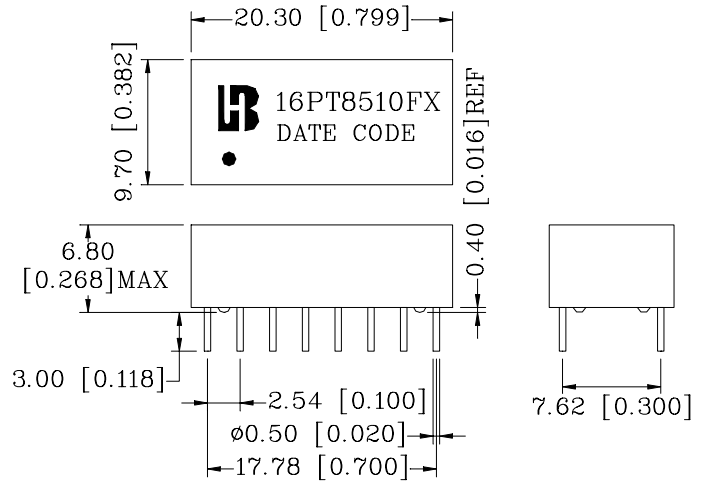
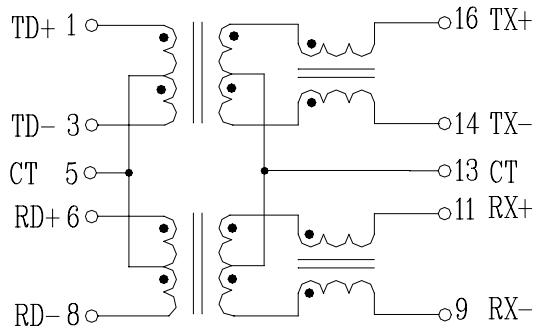


- Designed for 10/100 MB/s transmission over UTP-5 cable.
- Tested & qualified for use with national semiconductor's DP83840 Ethernet 10/100 PHY chip.
- Cable interface for isolation and low common mode emissions.
- 16-PIN DIP package for economic cost.
- Operating Temperature range: 0°C to +70°C.
- Storage temperature range: -25°C to +125 °C.

| Electrical Specifications @ 25°C | | | | | | | | | | | |
|----------------------------------|-------------------------|----------------------|---|-------|-------|-------|------------------------------|-----------|---------------------|-------|--------|
| Part Number | Turns Ratio (±5%) | | OCL (uH Min) @ 100KHz/0.1Vrms with 8mA/DC Bias | | | | Rise Time (10-90%) nS TYP | | HI-POT (Vrms) | | |
| | TX | RX | | | | | | | | | |
| 16PT8510FX | 1CT:1CT | 1CT:1CT | 350 | | | | 2.5 | | 1500 | | |
| Continue | | | | | | | | | | | |
| Part Number | Insertion Loss (dB Max) | Return Loss (dB Min) | | | | | Cross talk (dB Min) | | DCMR (dB Min) TX/RX | | |
| | 0.3-100 MHz | 30MHz | 40MHz | 50MHz | 60MHz | 80MHz | 0.3-60MHz | 60-100MHz | 30MHz | 60MHz | 100MHz |
| 16PT8510FX | -1.15 | -16 | -14 | -13.5 | -13 | -12 | -45 | -35 | -40 | -30 | -25 |

Schematic

Mechanical



Units: mm[Inches] Tolerances: xx.x0±0.25[0.010]
0.xx±0.05[0.002]