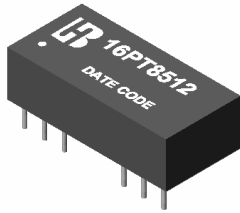


10/100 BASE-T TRANSFORMER

P/N:16PT8512 DATA SHEET

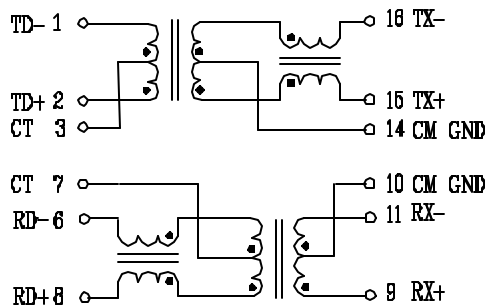
Feature



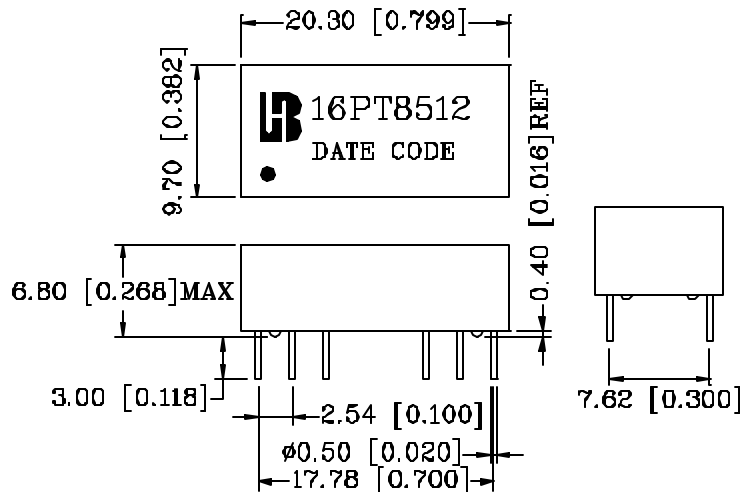
- Designed for 10/100 MB/s transmission over UTP-5 cable.
- Cable interface for isolation and low common mode emissions.
- 16-PIN DIP package for economic cost.
- Operating Temperature range: 0°C to +70°C.
- Storage temperature range: -25°C to +125°C.

Electrical Specifications @ 25°C																		
Part Number	Turns Ratio (±5%)		OCL (uH Min) @ 100KHz/0.1Vrms with 8mA/DC Bias	C _{WW} (pF Max)	LL (uH Max)	Rise Time (10-90%) nS TYP	HI-POT (Vrms)	Continue										
	TX	RX						Insertion Loss (dB Max)		Return Loss (dB Min)			Cross talk (dB Min)		DCMR (dB Min) TX/RX			
	0.3-100 MHz	30MHz	40MHz	50MHz	60MHz	80MHz	0.3-60MHz	60-100MHz	30MHz	60MHz	100MHz							
16PT8512	1CT:1CT	1CT:1CT	350	56	0.4	2.5	1500	-1.15	-16	-14	-13.5	-13	-12	-45	-35	-40	-30	-25

Schematic



Mechanical



Units: mm[Inches]
 Tolerances: xx.x0±0.25[0.010]
 0.xx±0.05[0.002]