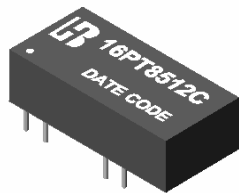


10/100 BASE-T TRANSFORMER

P/N:16PT8512C DATA SHEET

Feature



- Compliant with IEEE802.3u and ANSI X3.263 standards including 350uH OCL with 8mA Bias.
- Operating temperature range: 0°C to +70°C.
- Storage temperature range: -25°C to +105°C.

Electrical Specifications @ 25°C							
Part Number	Turns Ratio (±5%)		OCL (uH Min) @100KHz/0.1V with 8mA DC Bias	Rise Time 10-90% (nS Typ)	CMR (dB Min)	Insertion Loss (dB Max)	HI-POT (Vrms)
	TX	RX			0.3-100MHz	0.3-100MHz	
16PT8512C	1:1	1:1 CT	350	2.5	-35	-1.15	1500

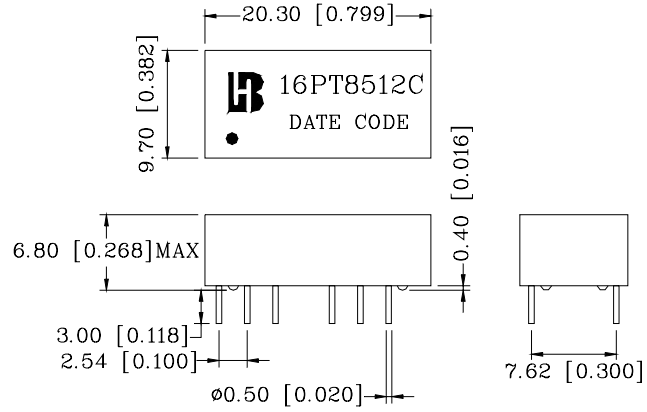
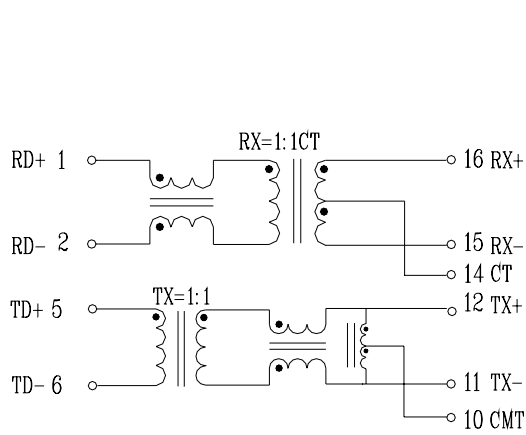
Continue										
Part Number	Return Loss (dB Min)					Cross talk (dB Min)		DCMR TX/RX(dB Min)		
	30MHz	40MHz	50MHz	60MHz	80MHz	0.3-60MHz	60-100MHz	30MHz	60MHz	100MHz
16PT8512C	-16	-14	-13.5	-13	-12	-45	-35	-42/-40	-35/-30	-28/-25

Schematic

Mechanical

10/100 BASE-T TRANSFORMER

P/N:16PT8512C DATA SHEET



Units: mm[Inches] Tolerances: xx.x0±0.25[0.010]
0.xx±0.05[0.002]