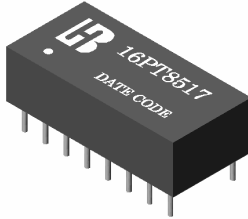


# 100 BASE-TX TRANSFORMER

## P/N:16PT8517 DATA SHEET

### Feature



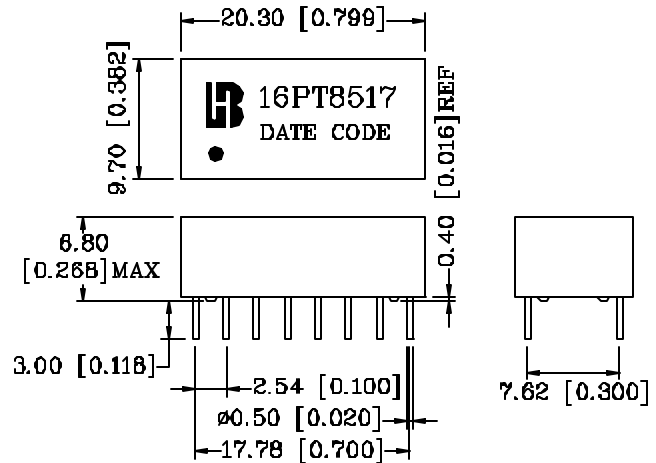
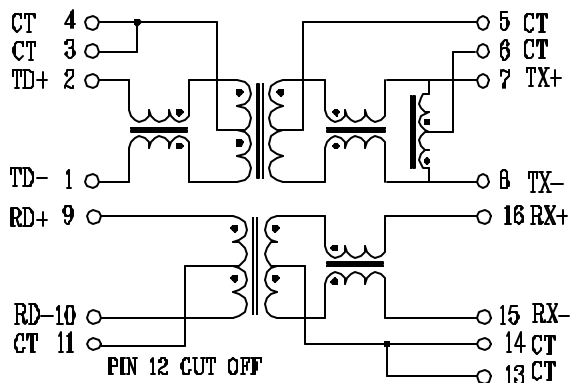
- Designed for 100MB/s AND 155 MB/s transmission over UTP-5 and STP cable.
- 155 ATM, 100 Base-TX and TP-FDDI applications.
- Cable interface for isolation and low common mode emissions.
- Fully integrated modules for multiport concentrators and adapter card applications.
- 16-PIN DIP package, PICK and place compatible.
- Storage temperature range: -25°C to +125°C.
- Operating Temperature range: 0°C to +70°C.

### Electrical Specifications @ 25°C

Part Number	Turns Ratio (±5%)		OCL (uH Min) @ 100KHz/0.1Vrms with 8mA/DC Bias	CW/W (pF Max)	L.L (uH Max)	Rise Time (10-90%) nS TYP	DCR (Ω Max)	Voltage Isolation (Vrms)			
	TX	RX									
16PT8517	1CT:1CT	1CT:1CT	350	28	0.6	2.5	0.9	1500			
Continue											
Part Number	Insertion Loss (dB Max)		Return Loss (dB Min)				Cross talk (dB Min)		Differential to Common Mode Rejection TX/RX(dB Min)		
	0.3-100 MHz	30MHz	40MHz	50MHz	60MHz	80MHz	0.3-60MHz	60-100MHz	30MHz	60 MHz	100MHz
16PT8517	-1.15	-16	-14	-13.5	-13	-12	-40	-38	-42/-42	-38/-36	-35/-32

### Schematic

### Mechanical



Units: mm [Inches] Tolerances: xx.x0±0.25 [0.010]  
0.xx±0.05 [0.002]