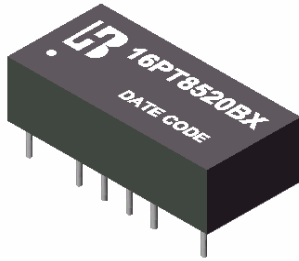


# 10/100 BASE-T TRANSFORMER

## P/N:16PT8520BX DATA SHEET

### Feature

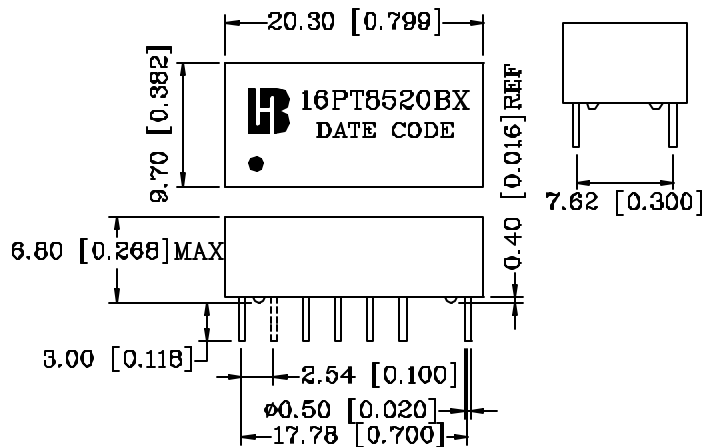
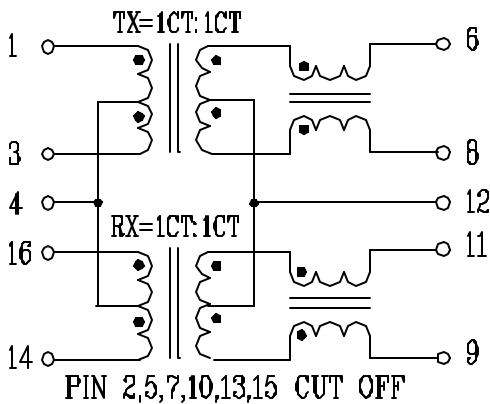


- Designed for 10/100 MB/s transmission over UTP-5 cable.
- Tested & qualified for use with national semiconductor's DP83840 Ethernet 10/100 PHY chip.
- Cable interface for isolation and low common mode emissions.
- 16-PIN DIP package for economic cost.
- Operating Temperature range: 0°C to +70°C.
- Storage temperature range: -25°C to +125°C.

Electrical Specifications @ 25°C										
Part Number	Turns Ratio (±5%) TX/ RX	PRI OCL (uH Min) @ 100KHz/0.1Vrms with 8mA/DC Bias	PRI L.L (uH Max)	PRI CW/W (pF Max)	PRI DCR (Ω Max)	Hi-POT (Vrms)				
16PT8520BX	1CT:1CT	350	0.6	50	0.9	1500				
Continue										
Part Number	Insertion Loss (dB Max)	Return Loss (dB Min)				Cross talk (dB Min)		DCMR TX/RX(dB Min)		
		0.3-100 MHz	0.5-30MHz	40MHz	50MHz	60-80MHz	0.3-60MHz	60-100MHz	30MHz	60MHz
16PT8520BX	-1.1	-16	-15	-13	-11	-45	-35	-42/-40	-35/-30	-28/-25

### Schematic

### Mechanical



Units: mm [Inches]  
 Tolerances: xx.x0±0.25 [0.010]  
 0.xx±0.05 [0.002]